



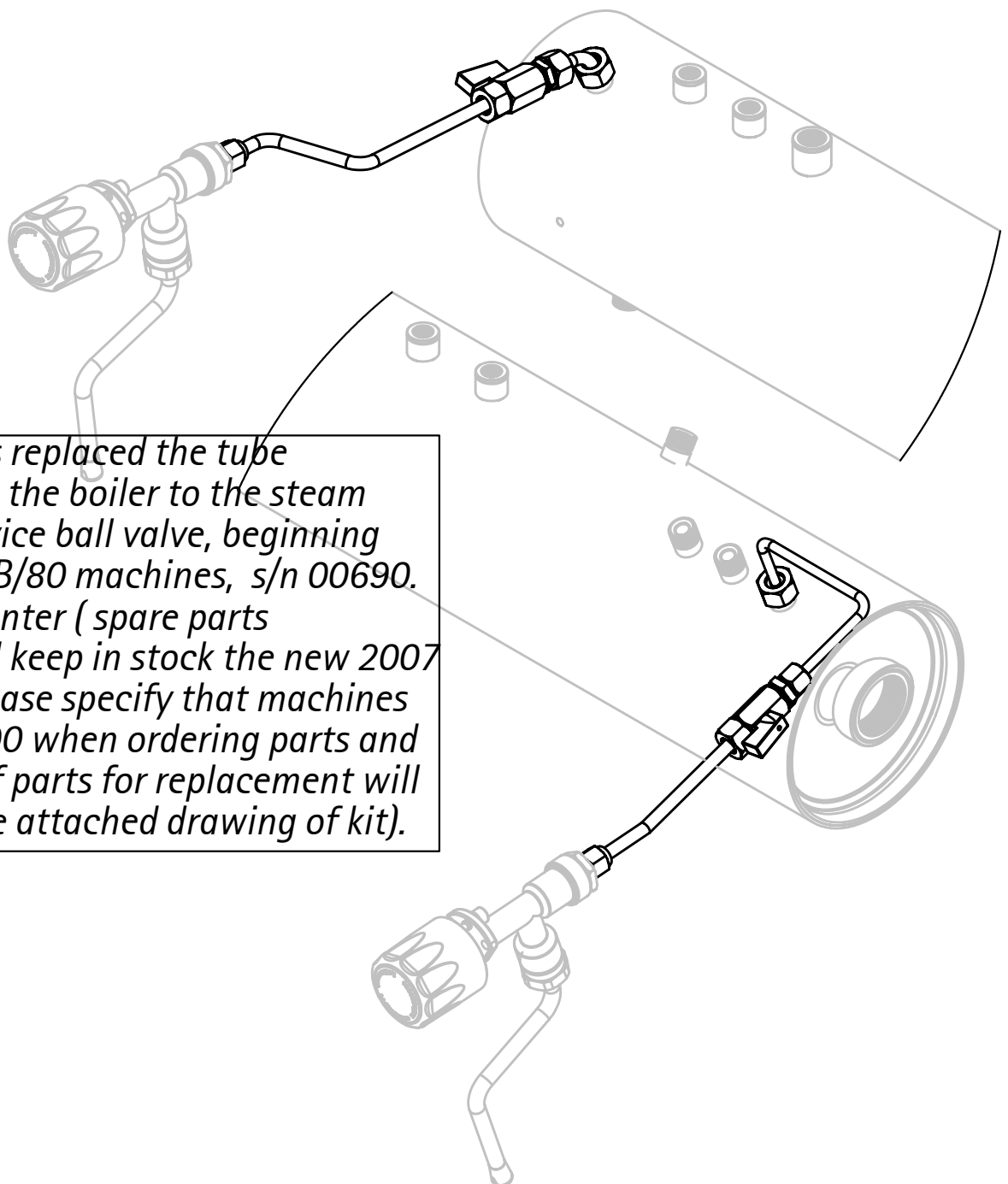
**HANDMADE IN FLORENCE**

**TECHNICAL BULLETIN #31**

TECHNICAL REFERENCE: 062907/31

June 29, 2007

**MODEL/S AFFECTED:** GB/5 & FB/80 steam valve tube connection - ALL  
**DESCRIPTION:** service ball valve



La Marzocco has replaced the tube connection from the boiler to the steam valve with a service ball valve, beginning with GB/5 and FB/80 machines, s/n 00690. The Technical Center ( spare parts department) will keep in stock the new 2007 version only. Please specify that machines are pre-s/n 00690 when ordering parts and a complete kit of parts for replacement will be delivered ( see attached drawing of kit).



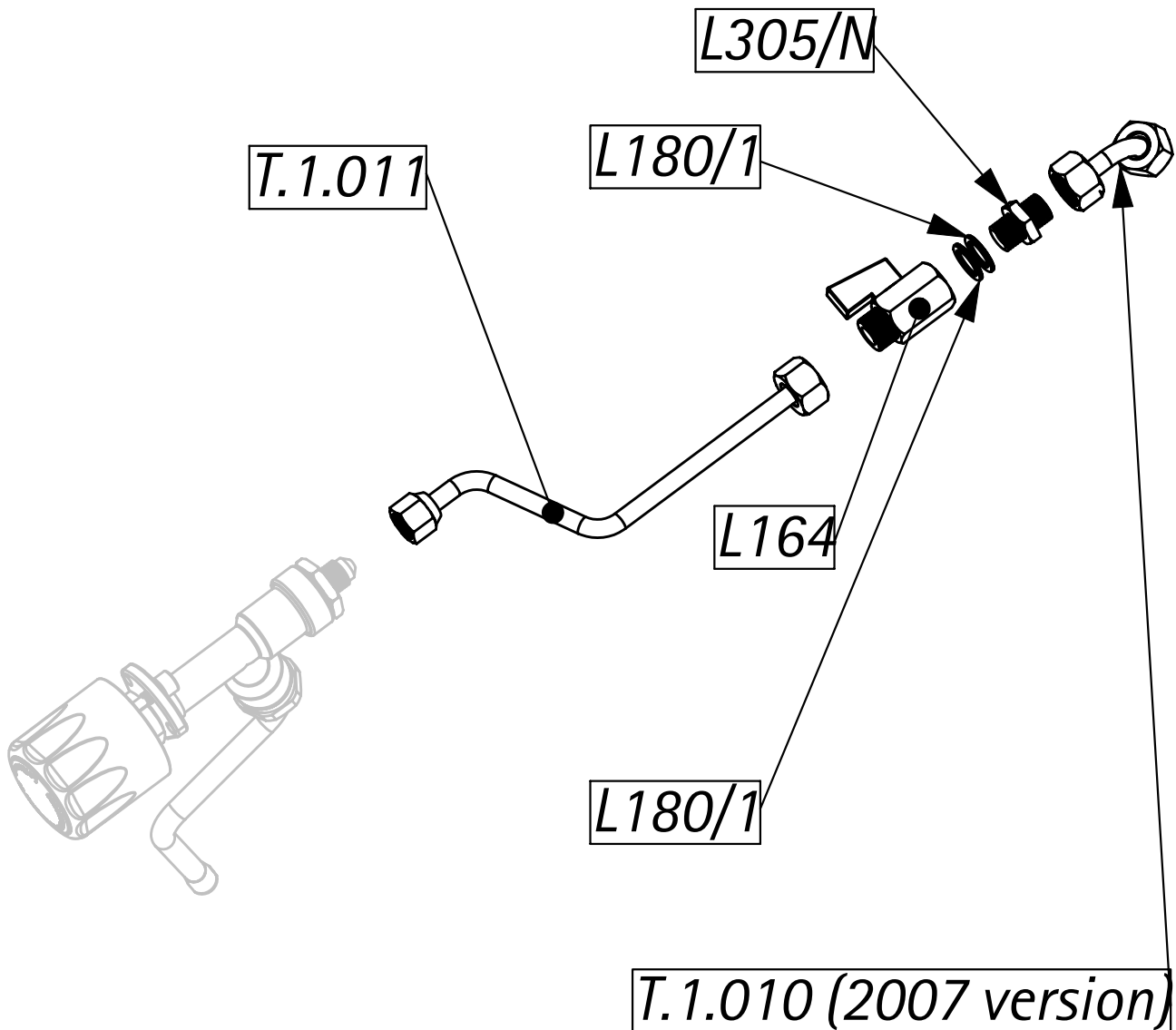
HANDMADE IN FLORENCE

TECHNICAL BULLETIN #31

TECHNICAL REFERENCE: 062907/31

June 29, 2007

MODEL/S AFFECTED: GB/5 & FB/80 steam valve tube connection  
DESCRIPTION: left steam valve service ball





**HANDMADE IN FLORENCE**

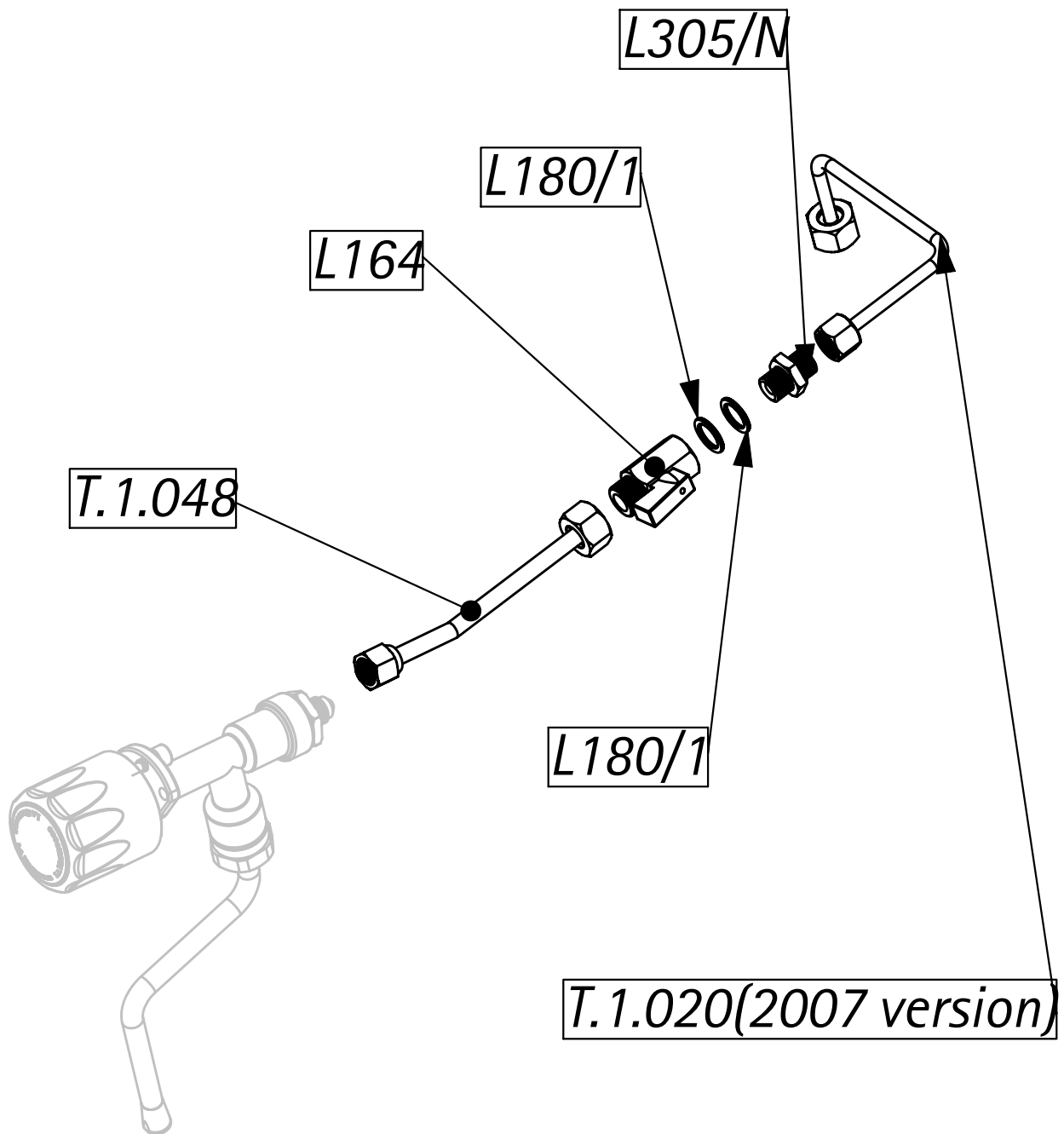
**TECHNICAL BULLETIN #31**

TECHNICAL REFERENCE: 062907/31

June 29, 2007

**MODEL/S AFFECTED:** GB/5 & FB/80 steam valve tube connection

**DESCRIPTION:** right steam valve service ball





**HANDMADE IN FLORENCE**

**TECHNICAL BULLETIN #31**

TECHNICAL REFERENCE: 062907/31

June 29, 2007

**MODEL/S AFFECTED:** GB/5 & FB/80 steam valve tube connection - ALL  
**DESCRIPTION:** Steam valve tube connection pre-s/n 00690

