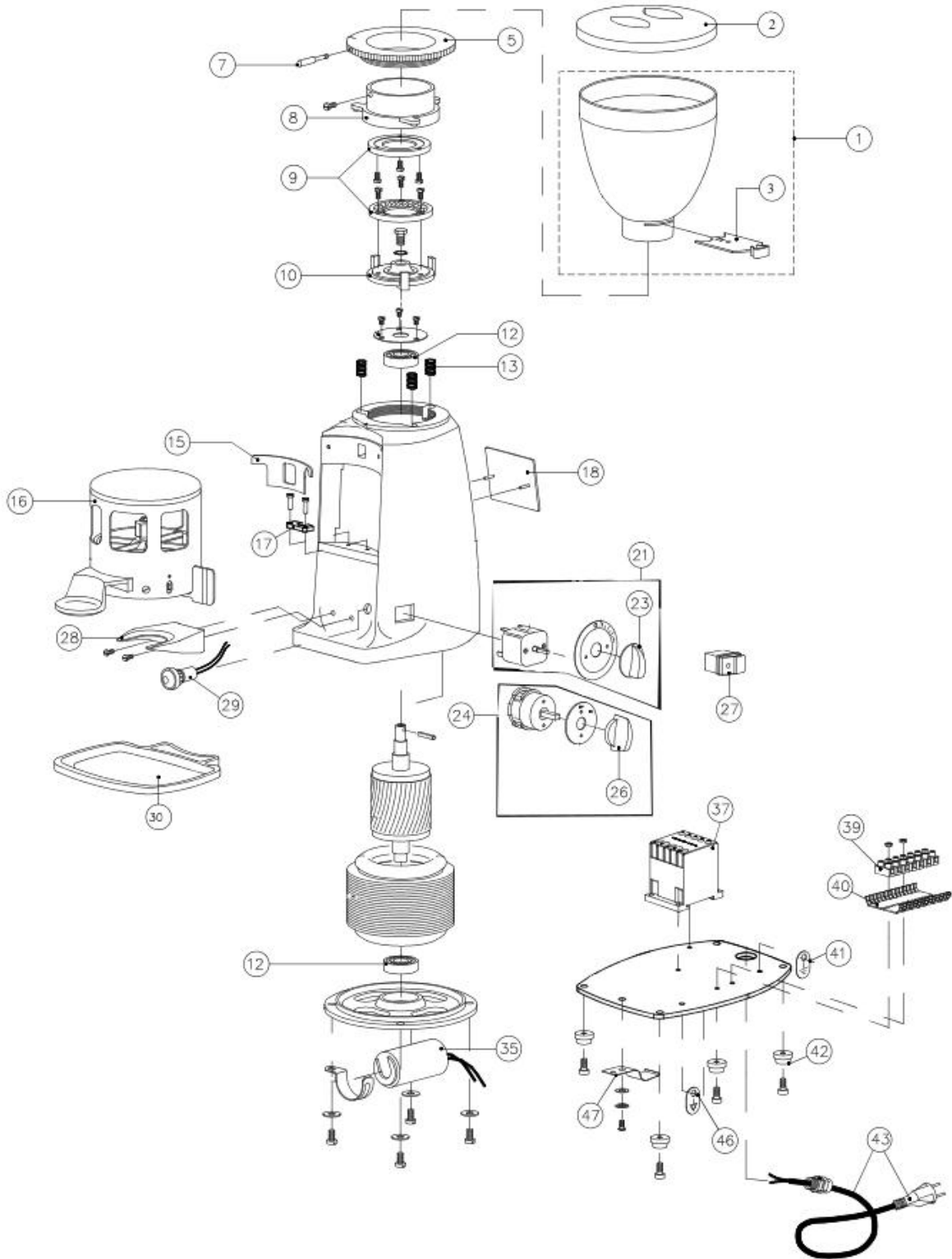


# Mazzer Doser Grinders



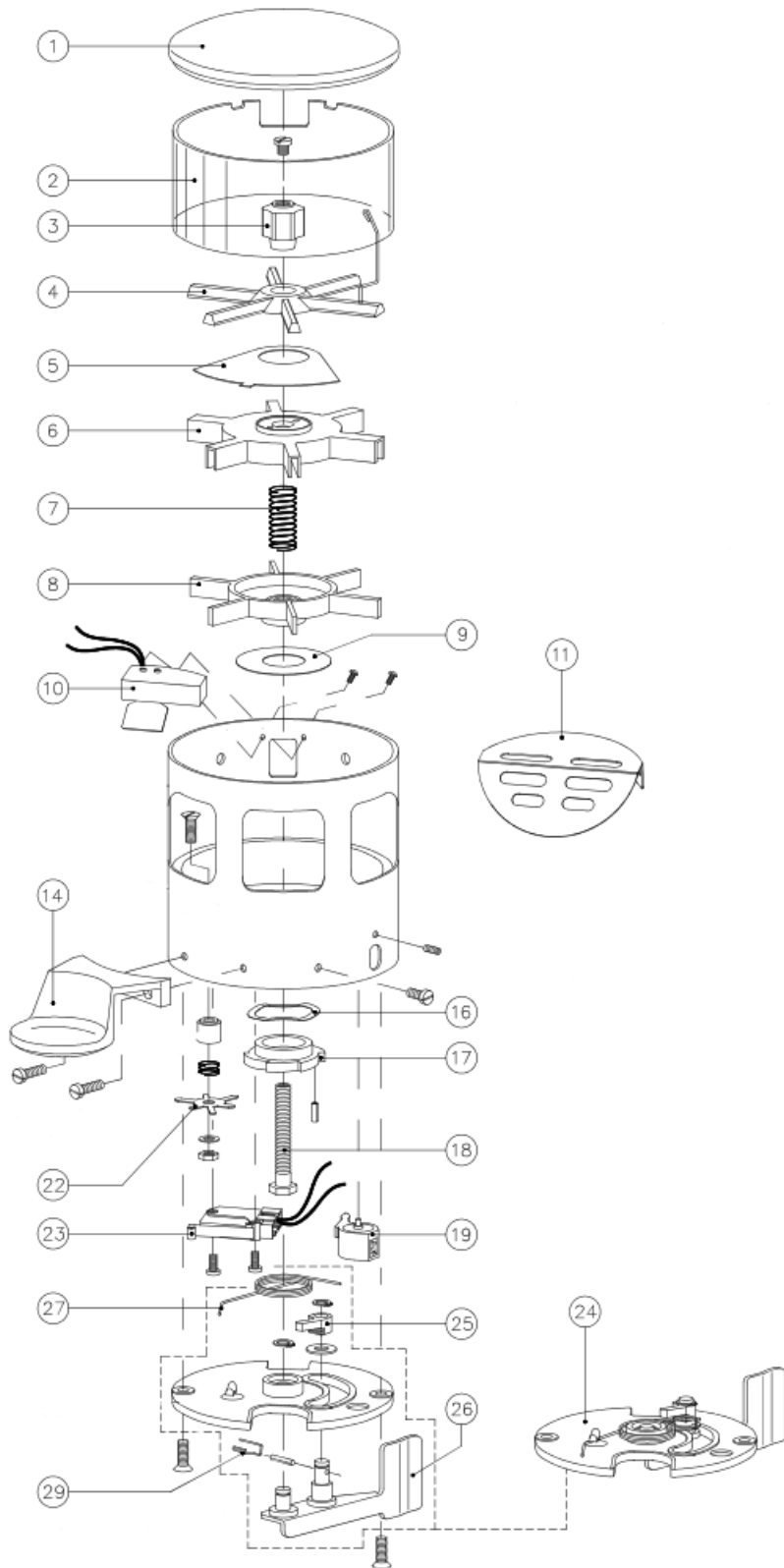
1553 NW Ballard Way  
Seattle WA 98107  
Tel: 206.706.9104  
Fax: 206.706.9106  
[www.lamarzoccousa.com](http://www.lamarzoccousa.com)

# Mini



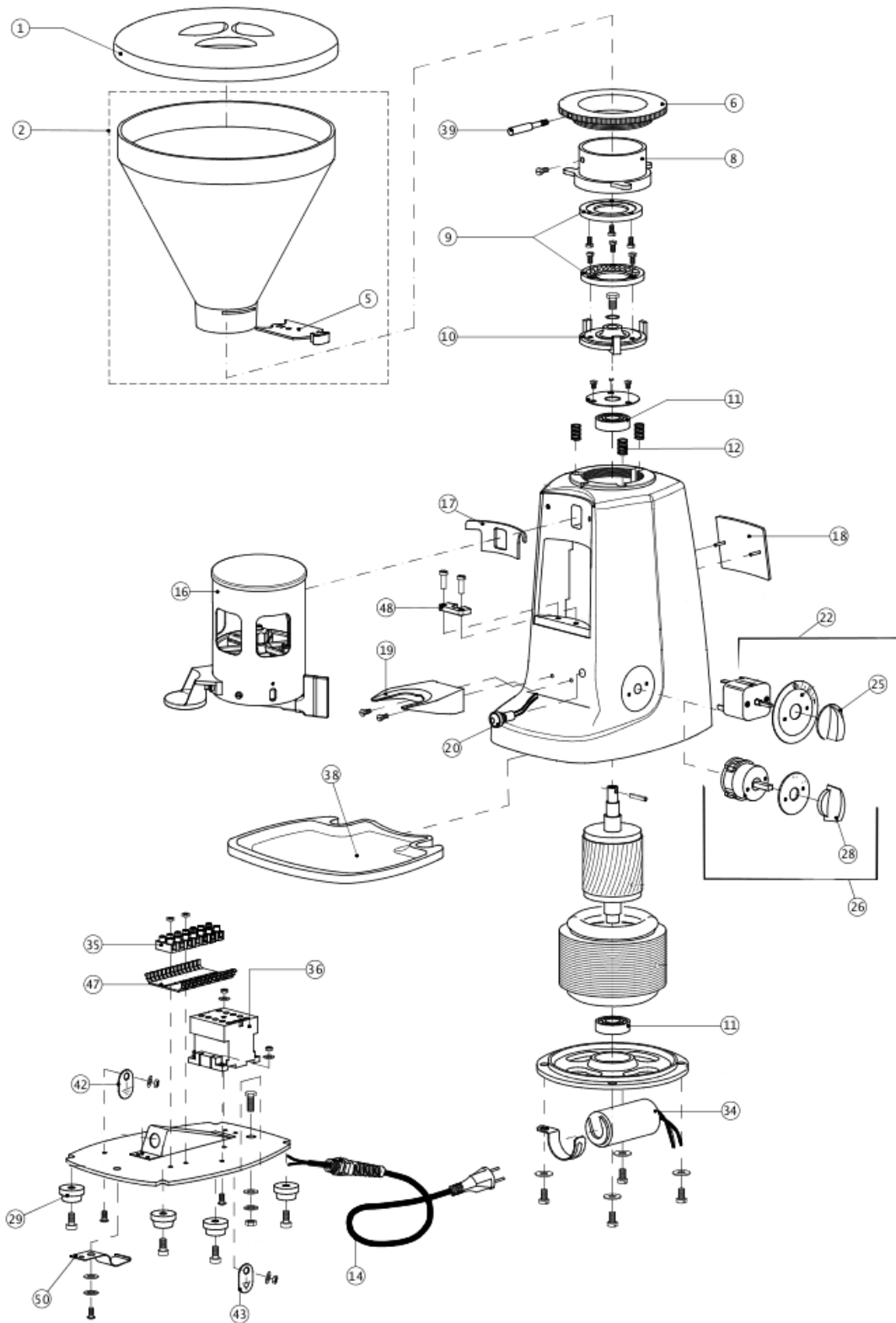
Position	Description	Part Number
1	Mini Hopper (no lid)	M28350001
2	Mini Hopper Lid	M28054009
3	Hopper Locking Slide	M28326010/VT
5	Coffee Grinding Adj. Disk , SJ / Mini E / Kony	M28157
7	Grinding Adjustment Disk Handle	M28360012
8	Upper Burr Holder, Mini	M28360011/MINI
9	Mini Grinding Burrs 182-D	M28217003
10	Lower Grinding Burr Holder , Mini	M28253/MINI
12	Bearing, 6202	M28057
13	Grinding Adjustment Spring	M28233
15	Gasket Aer-Stop	M28400004
16	Mini ETL Manual Doser	M28100/MINI
17	Doser fixing Support	M28258007
18	Major Burrs	M28215
21	Complete Two Pole Timer Switch	M28162
23	Timer Switch Knob	M28162/K
24	Two Pole Rotative Switch, On/Off	M28161
26	Knob for M28161 & M28166 Switches	M28166/K
27	Green Light Switch	M28163/MINI
28	Fork, (Standard Doser)	M28122
29	Pilot Light, 110V UL, Red	M28258006
30	Drip Tray (Metal, Square)	TRAY/MINI
35	Capacitor 20 uF	M19051
37	CONTACTOR 110V/60HZ 9 AMP (SMALL)	M28341
39	Terminal Blocks	M28903
40	Under Terminal Blocks	M28904
41	Ground Plate	M28902
42	Mazzer Foot	M28258
42A	SCREW TC 5X20 FOR BACK FOOT	M28258/SCL
42B	SCREW, TC 5X12 6107 ZINC	M28258/SCS
43	Mazzer Power Cable	M30022
46	External Unipotential Clamp, Plate	M28905
47	Mazzer Grounds Tray Clip	M28259

# Mini Doser



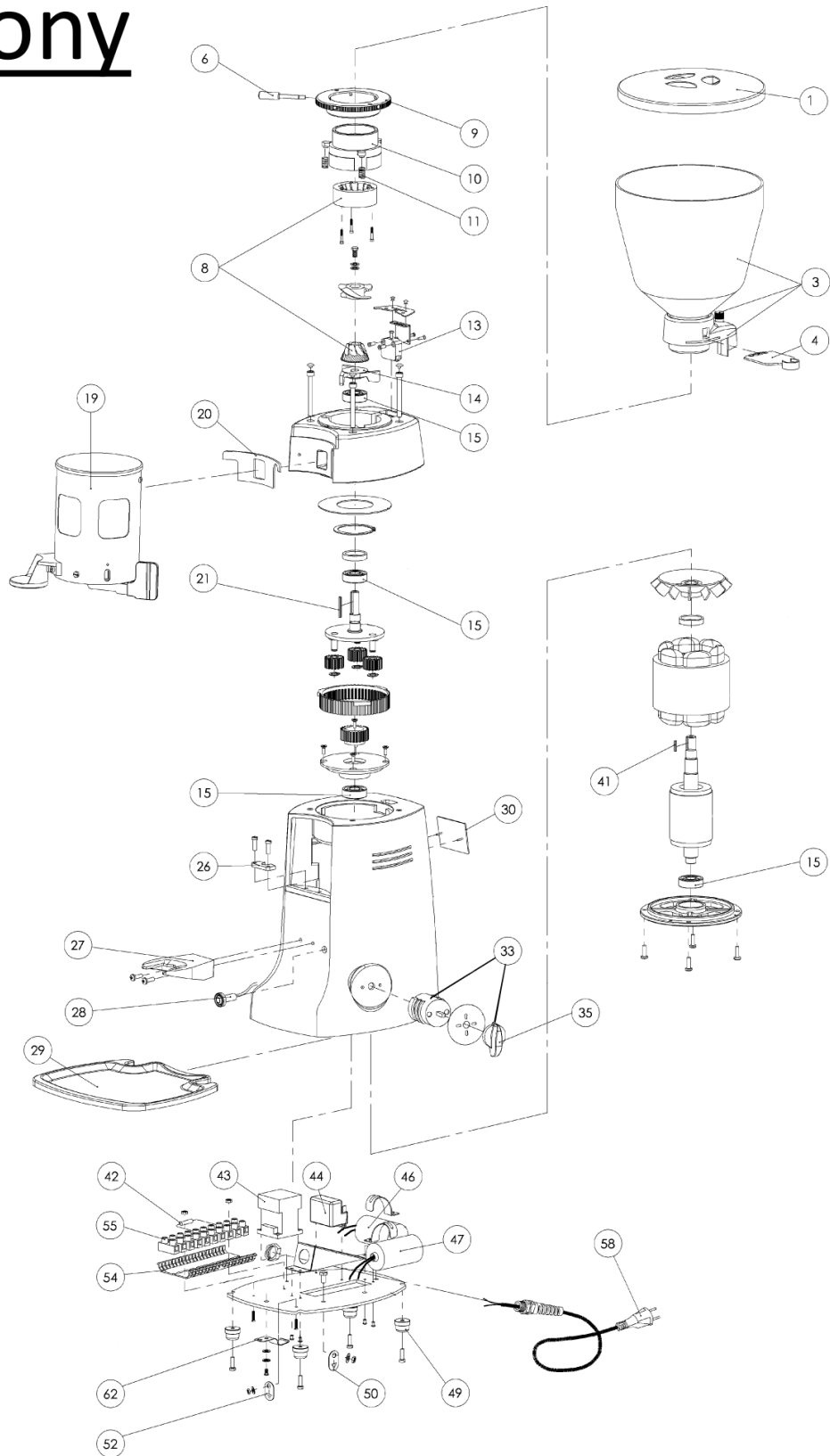
Position	Description	Part Number
1	Mazzer Doser Lid	M28055
2	Cylinder for Mini Doser	M28051/MINI
3	DOSER ADJUSTMENT KNOB	M28202
4	Mini Upper Dosing Star	M28300/MINI
5	Coffee Outlet Cover Plate	M28323
6	Mazzer Female Dosing Star	M28301
7	Mazzer Dosing System Pressing Spring	M28218
8	Male Dosing Star	M28302
9	Doser Washer D. 5 thick 0,4	M28303
10	Mazzer Complete Upper Micro switch	M28240
11	Coffee Outlet Cover Plate, MINI	M28323/MINI
14	Tamper Press, Diameter 57.5mm	M28251
16	Corrugated Ring	M28002000
17	Mazzer Doser Ratchet	M28066
18	Mazzer Doser Adjustment Screw M8X70	M28394
19	Mazzer Complete Counter	M28052
22	Micro switch Star	M28299
23	Lower Micro Switch	M28239
24	Doser Bottom Plate Complete	M28126
25	Nose / Acciaio AISI 304	M28249000
26	Doser Return Lever	M28196
27	Doser Lever Return Spring	M28220
29	Nose Spring	M28231

# Normale - Super Jolly



Position	Description	Part Number
1	Mazzer Hopper Lid	M28053
2	Mazzer Hopper with Collar (no lid)	M28351
5	Hopper Locking Slide	M28326010/VT
6	Coffee Grinding Adj. Disk , SJ / Mini E / Kony	M28157
8	Upper Burr Holder, Super Jolly	M28360011
9	Super Jolly Burrs	M28213
10	Super Jolly/Mini 'E' Lower Burr Holder	M28253
11	Bearing, 6202	M28057
12	Grinding Adjustment Spring	M28233
17	Gasket Aer-Stop	M28400004
18	Mazzer 4M Back Plate. Mini, SJ, K, M, R	M28535
19	Fork, (Standard Doser)	M28122
20	Pilot Light, 110V UL, Red	M28258006
22	Complete Two Pole Timer Switch	M28162
25	Timer Switch Knob	M28162/K
26	Two Pole Rotative Switch, On/Off	M28161
28	Knob for M28161 & M28166 Switches	M28166/K
29	Mazzer Foot	M28258
29A	SCREW TC 5X20 FOR BACK FOOT	M28258/SCL
29B	SCREW, TC 5X12 6107 ZINC	M28258/SCS
34	Capacitor, 30 uF	M19056
35	Terminal Blocks	M28903
36	CONTACTOR 110V/60HZ 9 AMP (SMALL)	M28341
38	Small mazzer Drip Tray, M / SJ / K / R / KOLD	TRAY/SM
39	Grinding Adjustment Disk Handle	M28360012
42	Ground Plate	M28902
43	External Unipotential Clamp, Plate	M28905
47	Under Terminal Blocks	M28904
48	Doser fixing Support	M28258007
50	Mazzer Grounds Tray Clip	M28259

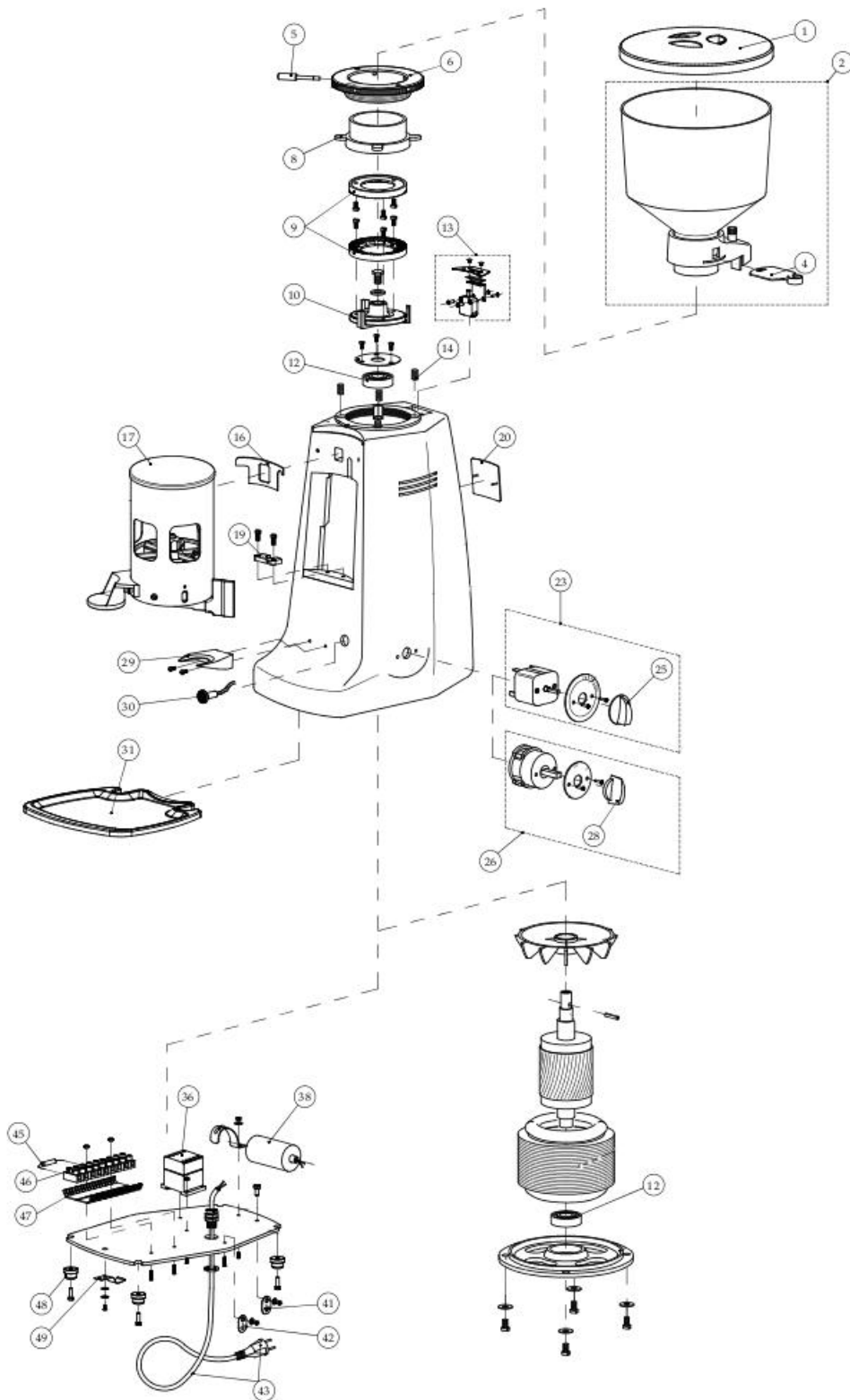
# Kony





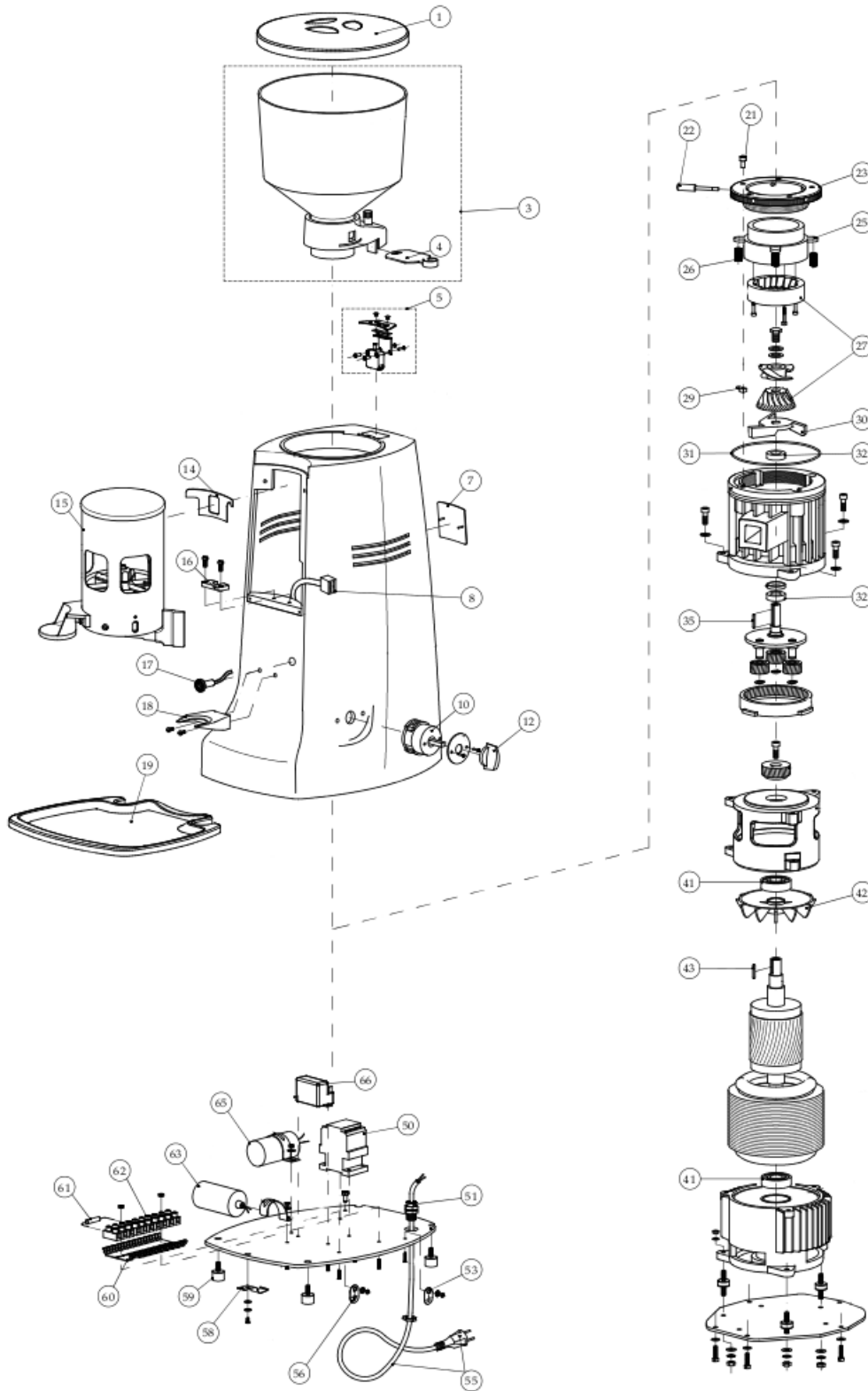
Position	Description	Part Number
1	Mazzer Hopper Lid	M28053
3	Kony Hopper, with Collar (no lid)	M28351003
4	Locking Hopper Slide	M28326010
6	Grinding Adjustment Disk Handle	M28360012
8	Conical Grinding Burrs, 191C Kony	M282191
9	Coffee Grinding Adj. Disk , SJ / Mini E / Kony	M28157
10	Upper Burr Holder, Kony	M28360030/K
11	Grinding Adjustment Spring	M28233
13	Hopper Safety Switch	M28241
14	Lower Burr Holder, Kony	M28253/K
15	Bearing, 6202	M28057
19	UL Automatic Doser, M , R, K	M28099
20	Gasket Aer-Stop	M28400004
21	3 x 3 x 30 Key	M28254
26	Doser fixing Support	M28258007
27	Fork, (Standard Doser)	M28122
28	Pilot Light, 110V UL, Red	M28258006
29	Small mazzer Drip Tray, M / SJ / K / R / KOLD	TRAY/SM
30	Filter /Screen for 60 X 60 Fan	M28530/M
33	Two Pole Rotative Switch+ Aux ON/OFF/START	M28166
35	Knob for M28161 & M28166 Switches	M28166/K
41	4 X 4 X 14 Key	M28255
42	Load Resistor 68 Kilo-Ohm 2 Watt	M28710
43	Contacto 110V/60 HZ 18 AMP (Large)	M28341/NT
44	Relay, Kony	M28347
46	Capacitor, 30 uF	M19056
47	Capacitor 40 uF	M19057
49	Mazzer Foot	M28258
49A	SCREW TC 5X20 FOR BACK FOOT	M28258/SCL
49B	SCREW, TC 5X12 6107 ZINC	M28258/SCS
50	External Unipotential Clamp, Plate	M28905
52	Ground Plate	M28902
54	Under Terminal Blocks	M28904
55	Terminal Blocks	M28903
58	Mazzer Power Cable	M30022
62	Mazzer Grounds Tray Clip	M28259

# Major



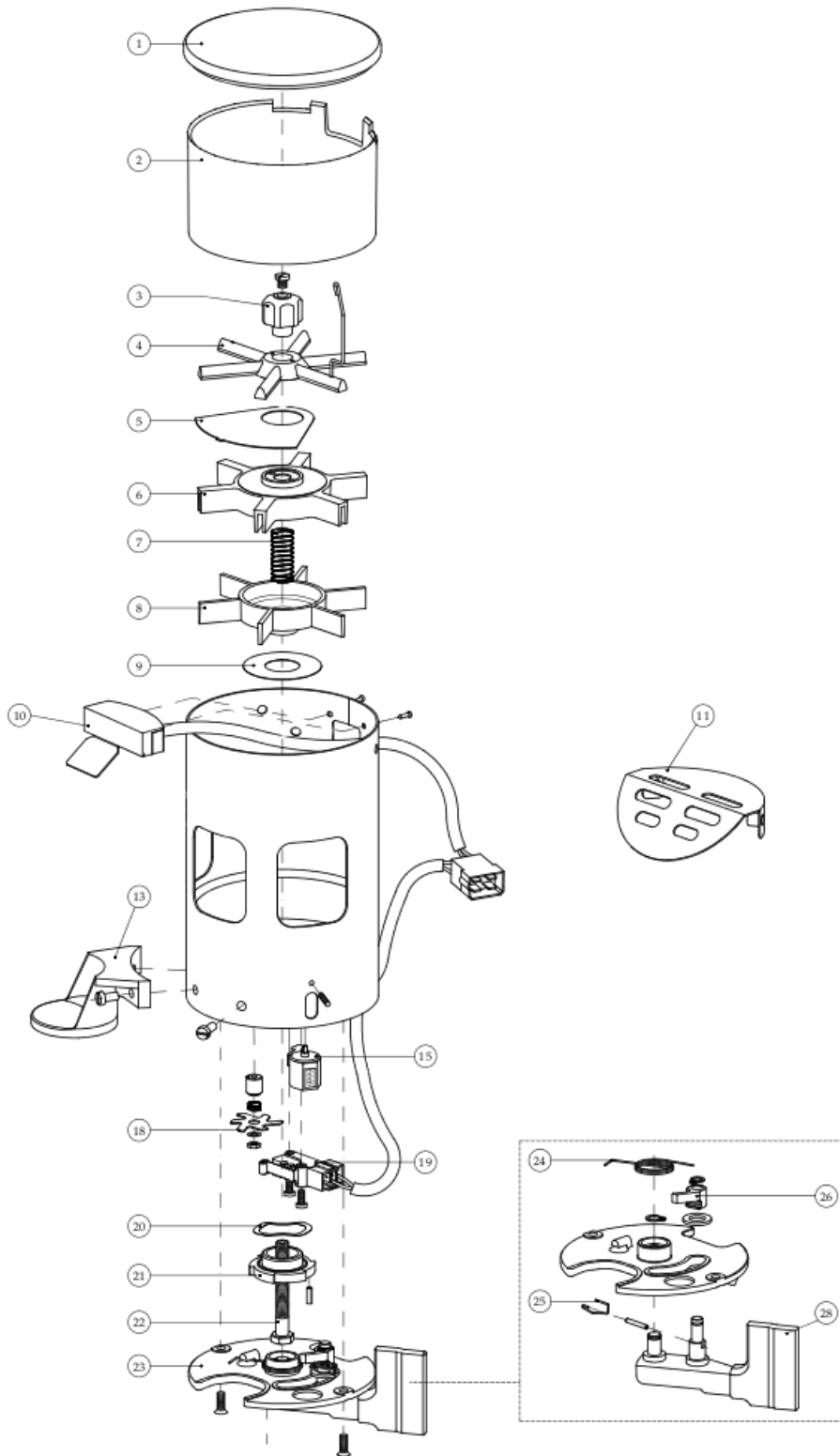
Position	Description	Part Number
1	Mazzer Hopper Lid	M28053
2	Robur/Major Hopper, with Collar (no lid)	M28351002
4	Locking Hopper Slide	M28326010
5	Grinding Adjustment Disk Handle	M28360012
6	Coffee Grinding Adjustment Disk, Major/Robur	M28158
8	Major Upper Burr Holder	M28360030
9	Major Burrs	M28215
10	Major Lower Burr Holder	M28253/M
12	Bearing, 6204	M28063
13	Hopper Safety Switch	M28241
14	Grinding Adjustment Spring	M28233
16	Gasket Aer-Stop	M28400004
17	UL Automatic Doser, M, R, K	M28099
19	Doser fixing Support	M28258007
20	Mazzer 4M Back Plate. Mini, SJ, K, M, R	M28535
23	Complete Two Pole Timer Switch	M28162
25	Timer Switch Knob	M28162/K
26	Two Pole Rotative Switch, On/Off	M28161
28	Knob for M28161 & M28166 Switches	M28166/K
29	Fork, (Standard Doser)	M28122
30	Pilot Light, 110V UL, Red	M28258006
31	Small mazzer Drip Taya, M / SJ / K / R / KOLD	TRAY/SM
36	Contactora 110V/60 HZ 18 AMP (Large)	M28341/NT
38	Capacitor 60 uF	M19058
41	External Unipotential Clamp, Plate	M28905
42	Ground Plate	M28902
43	Mazzer Power Cable	M30022
45	Load Resistor 68 Kilo-Ohm 2 Watt	M28710
46	Terminal Blocks	M28903
47	Under Terminal Blocks	M28904
48	Mazzer Foot	M28258
48A	SCREW TC 5X20 FOR BACK FOOT	M28258/SCL
48B	SCREW, TC 5X12 6107 ZINC	M28258/SCS
49	Mazzer Grounds Tray Clip	M28259

# Robur



Position	Description	Part Number
1	Mazzer Hopper Lid	M28053
3	Robur/Major Hopper, with Collar (no lid)	M28351002
4	Locking Hopper Slide	M28326010
5	Hopper Safety Switch	M28241
7	Mazzer 4M Back Plate. Mini, SJ, K, M, R	M28535
10	Two Pole Rotative Switch+ Aux ON/OFF/START	M28166
12	Knob for M28161 & M28166 Switches	M28166/K
14	Gasket Aer-Stop	M28400004
15	UL Automatic Doser, M, R, K	M28099
16	Doser fixing Support	M28258007
17	Pilot Light, 110V UL, Red	M28258006
18	Fork, (Standard Doser)	M28122
19	Small mazzer Drip Tray, M / SJ / K / R / KOLD	TRAY/SM
21	Adjustment Collar Bolt	M28360015
22	Grinding Adjustment Disk Handle	M28360012
23	Coffee Grinding Adjustment Disk, Major/Robur	M28158
25	Upper Burr Holder, Robur	M28360030/R
26	Grinding Adjustment Spring	M28233
27	Burrs, 186C, Robur / Kold	M282186
29	Lock Nut for Grinding Adjustment Disk	M28360019
30	Lower Burr Holder, Robur/Kold	M28253/R
31	O-Ring, NB70, Seal	M30009
32	Bearing, 6202	M28057
35	3 x 3 x 30 Key	M28254
41	Bearing, 6204	M28063
42	Cooling Fan, Robur/Kold	M30019
43	4 X 4 X 14 Key	M28255
50	Contactora 110V/60 HZ 18 AMP (Large)	M28341/NT
51	Cable Locking HSK-K PG11 Black	M30020
53	Ground Plate	M28902
55	Mazzer Power Cable	M30022
56	External Unipotential Clamp, Plate	M28905
58	Mazzer Grounds Tray Clip	M28259
59	Mazzer Foot, Robur/Kold	M28258/R
60	Under Terminal Blocks	M28904
61	Load Resistor 68 Kilo-Ohm 2 Watt	M28710
62	Terminal Blocks	M28903
63	Capacitor 60 uF	M19058
65	Capacitor 80 uF	M19060
66	New Style, Relay for Robur / Kold	M28346

# Doser



Position	Description	Part Number
1	Mazzer Doser Lid	M28055
2	Cylinder Window, Inside Doser SJ, K, M, R	M28051
3	DOSER ADJUSTMENT KNOB	M28202
4	Upper Dosing Star, Supper Jolly, Kony	M28300
4	Upper Dosing Star, Major, Robur	M28300/M
5	Coffee Outlet Cover Plate	M28323
6	Mazzer Female Dosing Star	M28301
7	Mazzer Dosing System Pressing Spring	M28218
8	Male Dosing Star	M28302
9	Doser Washer D. 5 thick 0,4	M28303
10	Mazzer Complete Upper Micro switch	M28240
11	Coffee Outlet Guard	M28250
13	Tamper Press, Diameter 57.5mm	M28251
15	Mazzer Complete Counter	M28052
18	Micro switch Star	M28299
19	Lower Micro Switch	M28239
20	Corrugated Ring	M28002000
21	Mazzer Doser Ratchet	M28066
22	Mazzer Doser Adjustment Screw M8X70	M28394
23	Doser Bottom Plate Complete	M28126
24	Doser Lever Return Spring	M28220
25	Nose Spring	M28231
26	Nose / Acciaio AISI 304	M28249000
28	Doser Return Lever	M28196