

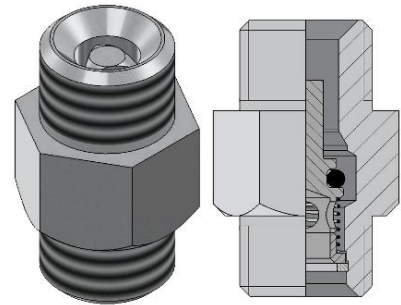
# La Marzocco Technical Bulletin #143

## New Check Valve B.2.027

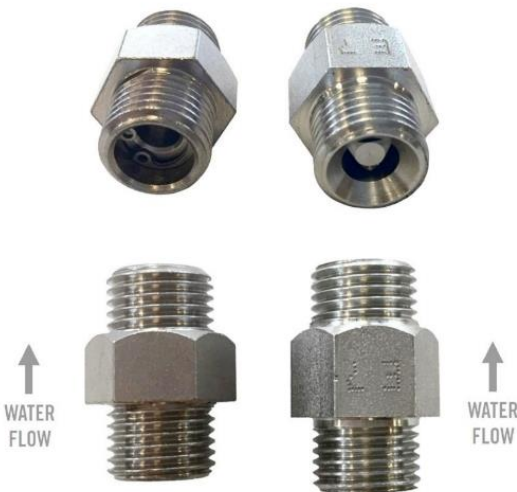
December 28, 2017

We have introduced a new check valve, B.2.027. It will be replacing the previous check valve, B.2.008. The new valve is made of AISI 316L stainless steel and is completely re-designed for greater reliability.

The new check valve is very similar to the previous check valve. It is distinguishable from the B.2.008 in several ways. The new check valve is several millimeters longer. Additionally,



the new check valve has the typical color of stainless steel as opposed to the previous valve which was treated. Finally, the new check valve has a code marked on one of the faces of the hexagon.



NOTE: the internal plunger is now placed upside-down and the lock ring is now visible at the outlet. Previously it was at the inlet on the B.2.008. The water flow direction is still understood by the rounded edge indicating the outlet. See image to the left.

The B.2.027 has a slightly lower flow rate than the B.2.008. If you replace a B.2.008 with the new B.2.027 check valve on a mixing valve, it is recommended to replace both B.2.008 on the mixing valve to avoid any issues related to the different flow rates.

Do not hesitate to contact our solutions team with any questions you have about this technical bulletin.

[solutions.usa@lamarzocco.com](mailto:solutions.usa@lamarzocco.com)

206.706.9104 x101