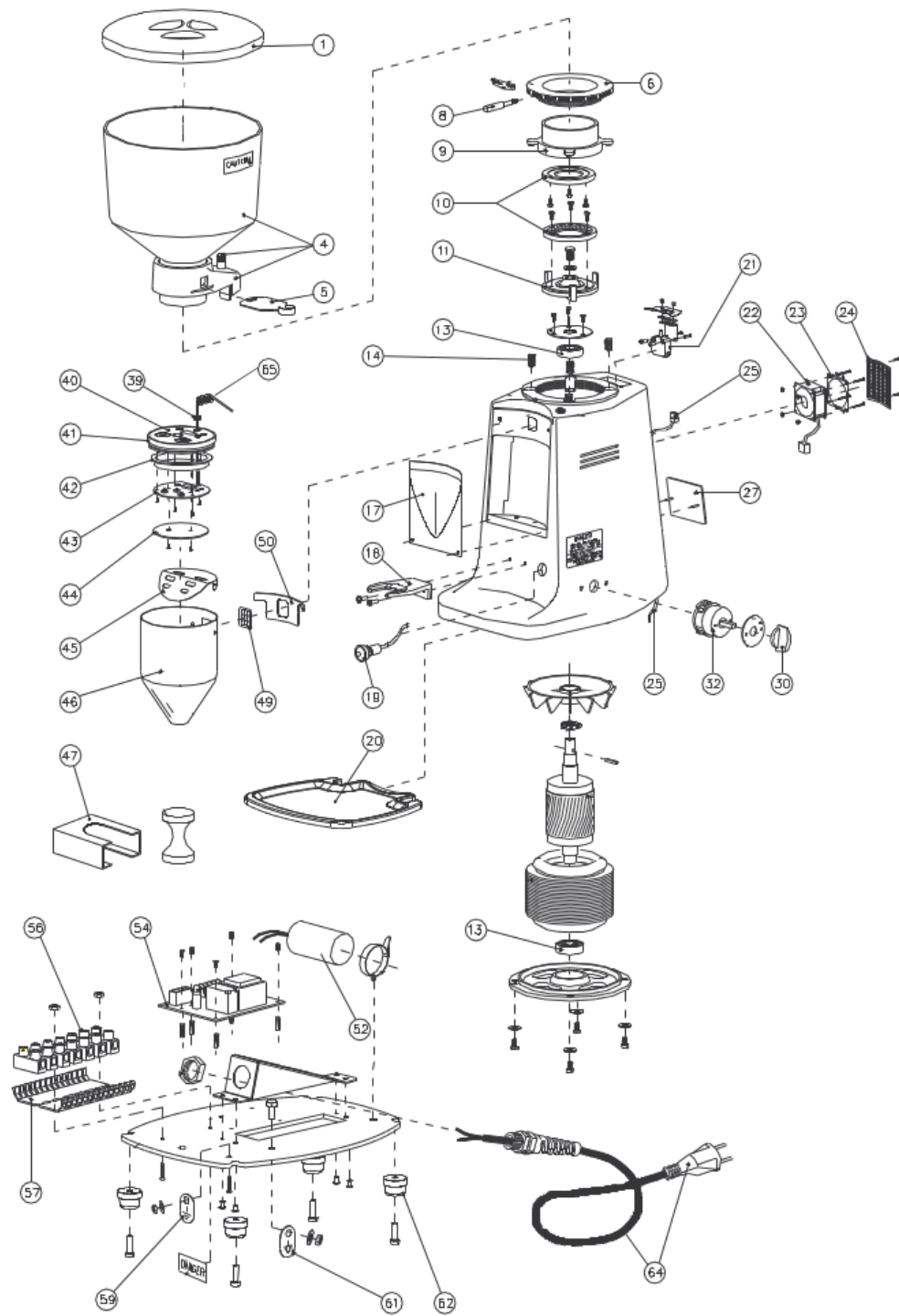


MAJOR ELECTRONIC

EXPLODED VIEW





<u>Position</u>	<u>Description</u>	<u>Part Number</u>
1	Hopper Cover	M28053
4	Robur/Major Hopper, with Collar (no lid)	M28351002
5	Hopper Locking Slide	M28326010
6	Coffee Grinding Blade Holder, Major	M28158
8	Grinding Adjustment Disk Handle	M28360012
9	Upper Grinding Blade Holder, Major	M28360030
10	Major Burrs	M28215
11	Lower Burr Holder	M28253/M
13	Bearing, 6204	M28063
14	Grinding Adjustment Spring	M28233
17	Motor Cover / Backing Plate	M28500/M
18	Fork for Major Electronic	M28122/ME
19	Pilot Light, 110V UL, Red	M28258006
20	Drip Tray, Super Jolly/Major/Kony	TRAY/SM
21	Hopper Safety Switch	M28241
22	Fan, 60 x 60 Wired	M28510/M
23	Frame for Fan, 60 x 60	M28520/M
24	Filter for Fan, 60 x 60	M28530/M
25	Connection Cable for Fan	M28540
27	4 M Back Plate	M28535
30	Rotative Switch Knob	M28166/K
32	Two Pole Rotative Switch, On/Off	M28161
39	Cable Locking 40-80-20 Black	M28600
40	Adhesive Membrane with Display	M28610
41	Push Button Holder lid, with Display	M28620
42	Gasket, for push Button Holder Lid	M28630
43	Card for Push Button Display	M28640
44	Bottom for Push Button Lid	M28650
45	Coffee Outlet Guard	M28250
46	Funnel	M28660
47	Tamper Holder	M28860
49	Grid / Screen	M28670/M
50	Gasket Aer-Stop	M28400004
52	Capacitor 60 uF, UL	M19058
54	Board for double Timer	M28700
56	Terminal Blocks	M28903
57	Under Terminal Blocks	M28904
59	Ground Plate	M28902
61	External Unipotential Clamp, Plate	M28905
62	Foot, Support Leg	M28258
62	Long Screw, for Foot	M28258/SCL
62	Short Screw for Foot	M28258/SCS
64	Mazzer Power Cable	M30022
65	Wire for Push Button Display	M28640/WIRE