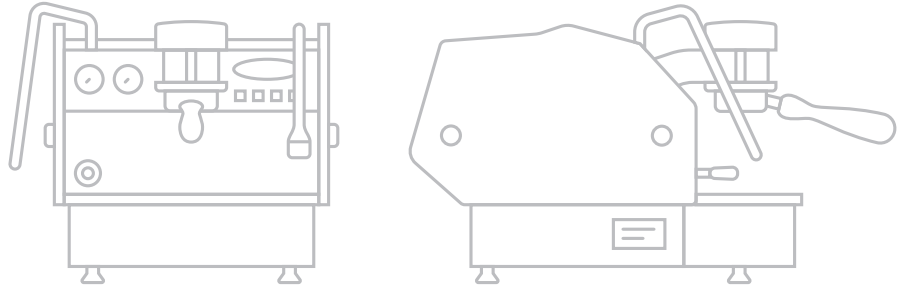


U.S. installation guideline

gs3



Dimensions

Height	14" (15" for MP)
Width	16"
Depth	21"
Working Height [°]	10.25"

Weights

Shipping Weight	104 lbs
Operating Weight	84 lbs

Power

Voltage/Phase/Cycle	120 VAC 1Φ 60Hz
Wattage	1620
Full Load Amp Draw	20 (14.6 in half power mode)
Max. Dist. from Outlet*	5'
NEMA Plug and Outlet*	5-15P, plug is included

Water

Specifications for plumb-in. Disregard if using the internal water reservoir.

Water Flow Rate	2GPM
Dynamic Water Pressure †	45PSI
Min. Pipe Size Diameter*	3/8"
Water Connection*	3/8" male comp.
Water Quality	Contact us for a free water test kit. See water specifications.

Drainage

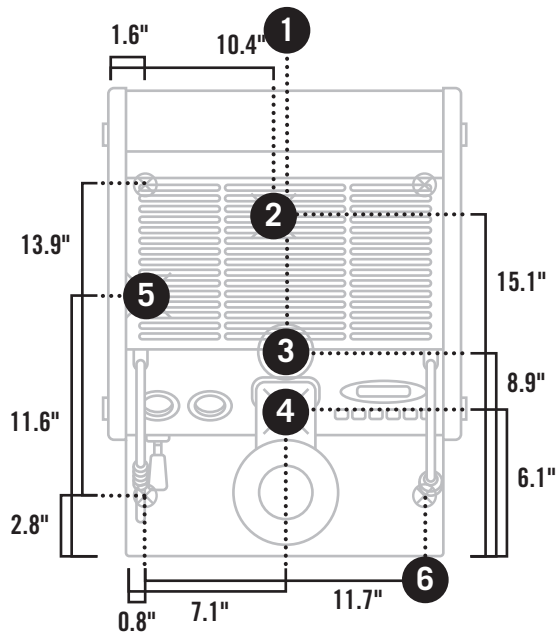
Max. Dist.*	5 ft
Drain Slope*‡	Min. 1/4" per foot
Counter Hole Diameter	2"

* suggested | † regulate as needed | ‡ This machine must be installed in accordance with the applicable federal, state and local plumbing codes
° Height from the base of the machine to the group head



la marzocco

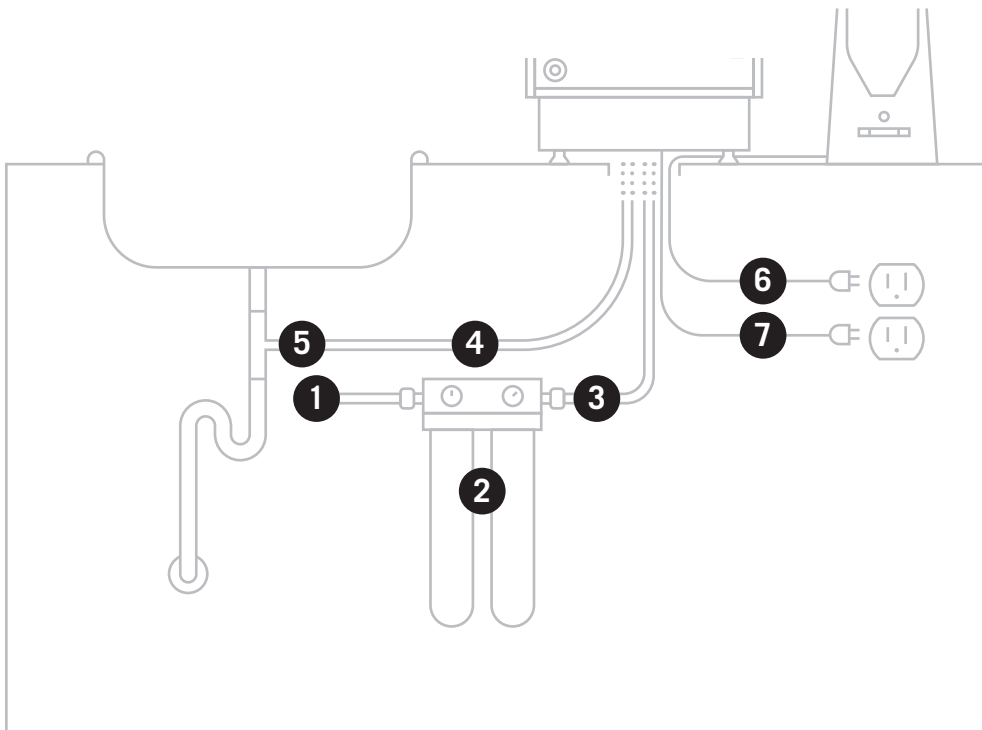
handmade in florence



top view

1. center line of the machine
2. position of the power cord
3. suggested diameter of counter hole: 2.5"
4. position of the drain tube
5. position of the water inlet hose
6. width of legs per model

⊗ machine leg location



front view

Specifications for plumb-in. Disregard if using the internal water reservoir.

1. 3/8" cold water supply
2. water filter required if plumbed (not provided), see water specifications below.
3. 3/8" BSPP cold water supply line suggested max. dist. from water supply 8'
4. 3/4" flexible drainline (min. 0.25"/1' slope)
5. sink drain above p-trap
6. 120V, 15amp electrical supply to grinder
7. 120V, electrical supply to espresso machine (plug included)

water specifications

La Marzocco recommends that your filtration system produces water with the following properties:

T.D.S.	90—150ppm	pH	6.5—8
Total Hardness	70—100 ppm	Alkalinity	40—80ppm
Total Iron	0—0.02ppm	Chloride	0—30ppm
Free Chlorine	0—0.05ppm	Line Pressure	45—80 PSI
Total Chlorine	0—0.1ppm	Flow Rate	2 GPM or 8 LPM