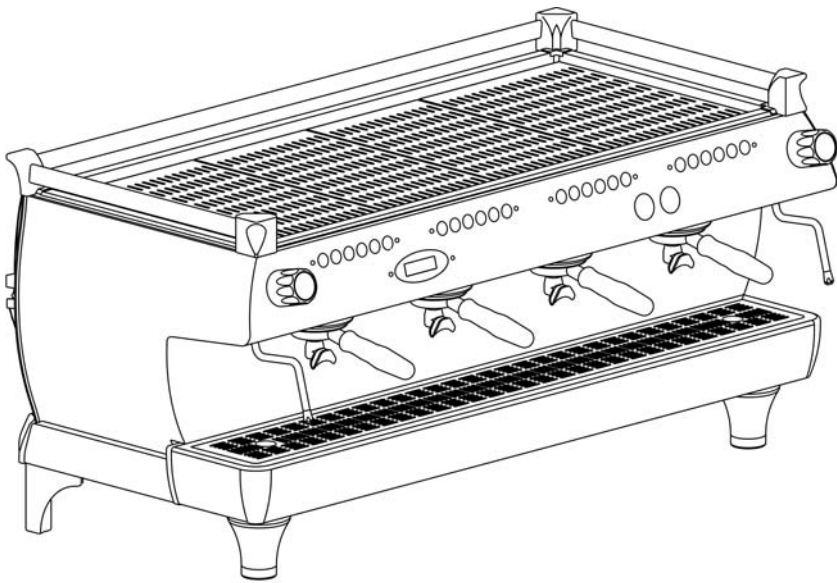




HANDMADE IN FLORENCE



*GB/5*



*FB/80*

**CATALOGO RICAMBI  
PARTS CATALOG**



**HANDMADE IN FLORENCE**

## **INDEX / INDICE**

|                                |   | <b>P.</b> | <b>VER.</b> |
|--------------------------------|---|-----------|-------------|
| Specifications                 | <i>Caratteristiche tecniche</i>             | 1         | 2.0         |
| Body panel assembly - GB/5     | <i>Carrozzeria - GB/5</i>                   | 3         | 2.0         |
| Body panel assembly - FB/80    | <i>Carrozzeria - FB/80</i>                  | 6         | 2.0         |
| Control panel assembly - AV&EE | <i>Pannello di controllo AV &amp; EE</i>    | 8         | 2.0         |
| Portafilter assembly           | <i>Portafiltri</i>                          | 10        | 2.0         |
| Steam wand assembly            | <i>Lancia - Rubinetto Vapore</i>            | 12        | 2.0         |
| Anti-suction steam valve kit   | <i>Kit antirisucchio - Rubinetto vapore</i> | 15        | 2.0         |
| Autosteam assembly             | <i>Autosteam</i>                            | 17        | 2.0         |
| Group                          | <i>Gruppo</i>                               | 20        | 2.0         |
| Group assembly                 | <i>Gruppo completo</i>                      | 22        | 2.0         |
| Group cap assembly             | <i>Coperchio gruppo - AV &amp; EE</i>       | 24        | 2.0         |
| Boiler assembly                | <i>Caldaie</i>                              | 28        | 2.0         |
| Pre-heating mix valve          | <i>Valvola termostatica</i>                 | 31        | 2.0         |
| Hydraulic assembly             | <i>Impianto idraulico</i>                   | 33        | 2.0         |
| Electrical system and pump     | <i>Impianto elettrico e pompa</i>           | 39        | 2.0         |
| Heating elements               | <i>Resistenze elettriche</i>                | 41        | 2.0         |
| Hoses and accessories          | <i>Tubi e accessori</i>                     | 43        | 2.0         |

**LA MARZOCCO S.R.L.**

**VIA BOLOGNESE, 68 - 50010 FIRENZE - ITALY**

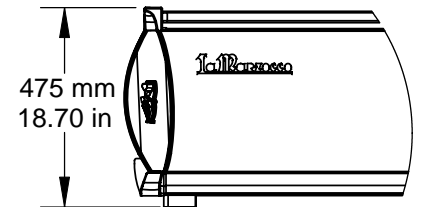
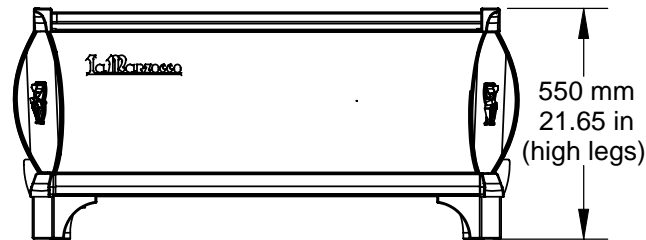
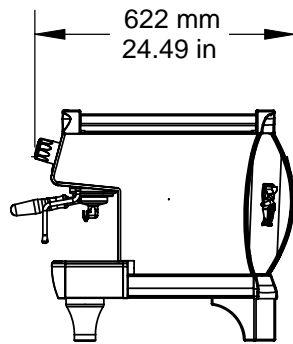
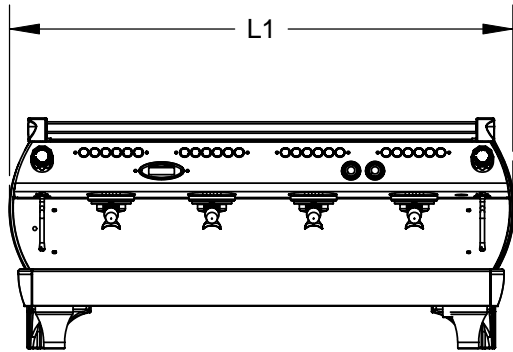
**TEL +39.055.401390 FAX +39.055.401349**

**INFO@LAMARZOCCO.COM**

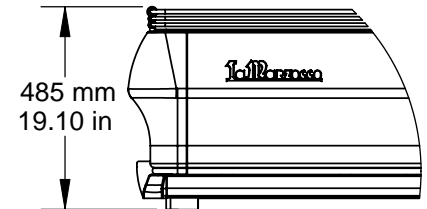
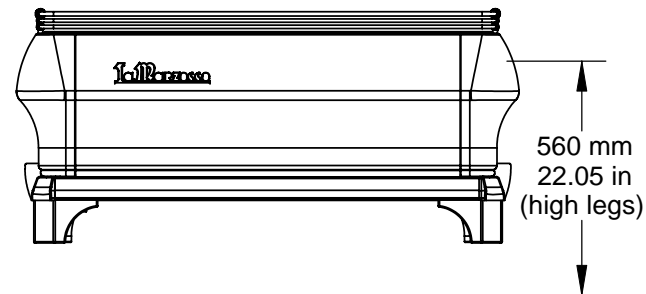
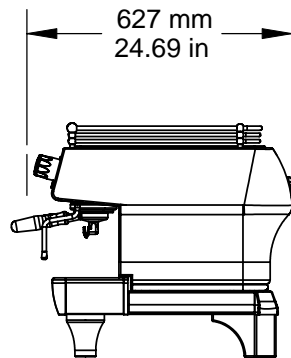
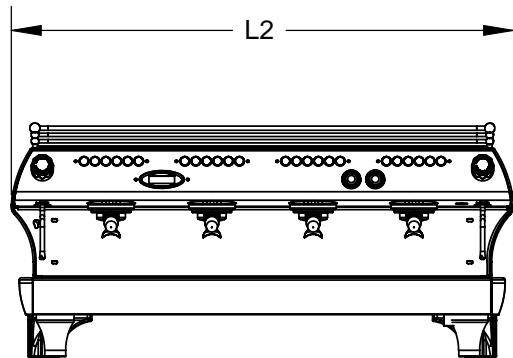
**WWW.LAMARZOCCO.COM**

# Specifications - GB/5 & FB/80

## GB/5



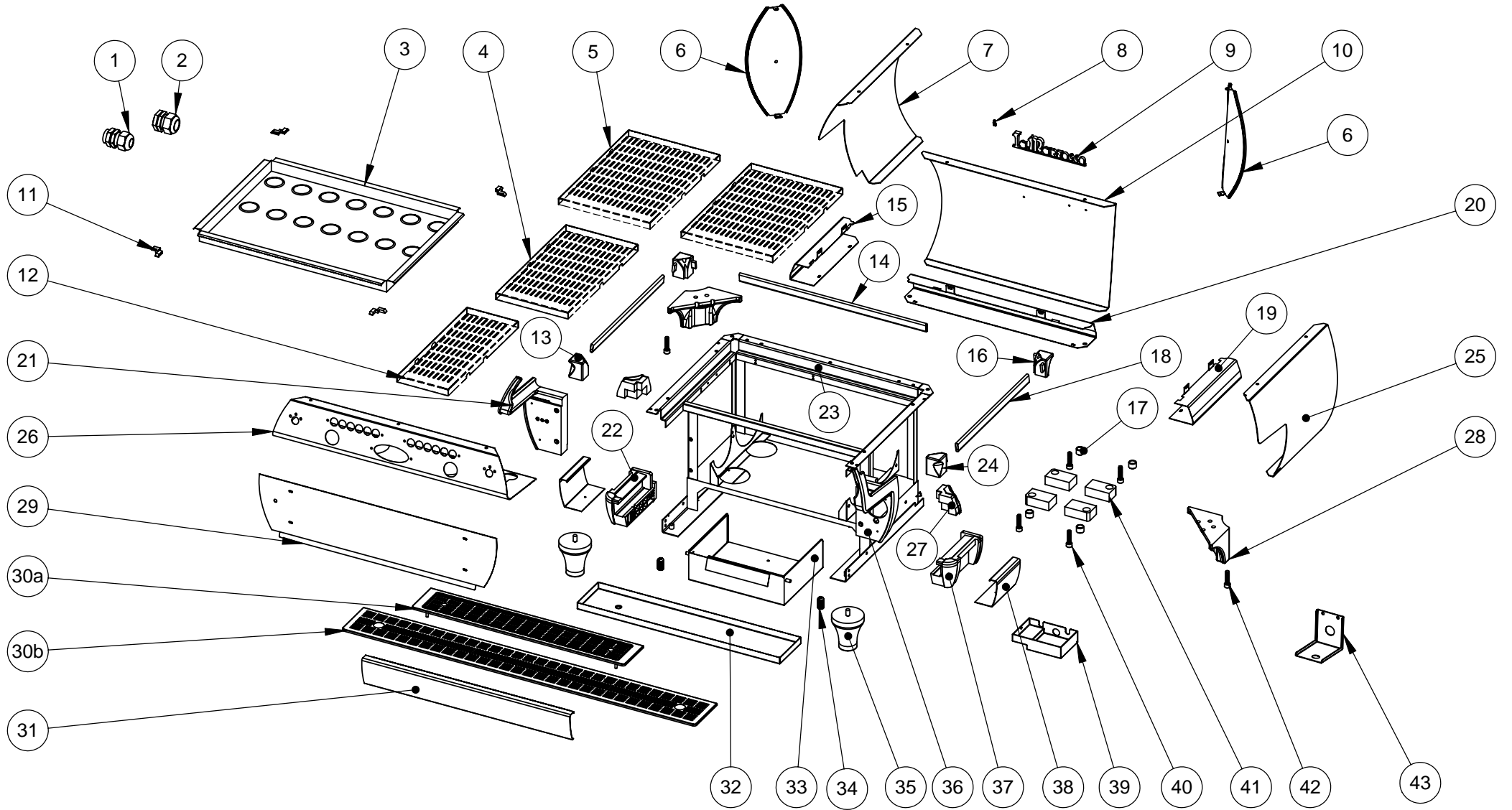
## FB/80



# Specifications - GB/5 & FB/80

|                                 |                       |             |                        |                        |                        |
|---------------------------------|-----------------------|-------------|------------------------|------------------------|------------------------|
| <b>Caratteristiche tecniche</b> | L1 (GB/5)             | mm          | 750                    | 950                    | 1190                   |
|                                 |                       | in          | 29,53                  | 37,40                  | 46,85                  |
|                                 | L2 (FB/80)            | mm          | 755                    | 955                    | 1195                   |
|                                 |                       | in          | 29,72                  | 37,60                  | 47,05                  |
|                                 | Machine weight        | kg          | 64                     | 74                     | 94                     |
|                                 |                       | lb          | 141,10                 | 163,14                 | 207,23                 |
|                                 | Shipping weight       | kg          | 90                     | 100                    | 130                    |
|                                 |                       | lb          | 198,42                 | 220,46                 | 286,60                 |
|                                 | Electrical Voltage    | VAC         | 200 Single/Three Phase | 200 Single/Three Phase | 200 Single/Three Phase |
|                                 |                       |             | 220 Single/Three Phase | 220 Single/Three Phase | 220 Single/Three Phase |
|                                 |                       |             | 380 Three Phase        | 380 Three Phase        | 380 Three Phase        |
|                                 | Coffee Boiler Wattage | W           | 1400                   | 1900                   | 2800                   |
|                                 | Steam Boiler Wattage  | W           | 3000                   | 4000                   | 5000                   |
|                                 | Total Wattage         | W           | 4600                   | 6100                   | 8000                   |
| Required Available Amperage     | A                     | 25          | 35                     | 45                     |                        |
| Coffee Boiler Capacity          | liters                | 3,4         | 5                      | 6,8                    |                        |
| Steam Boiler Capacity           | liters                | 7           | 11                     | 14,5                   |                        |
| Total Capacity                  | liters                | 10,4        | 16                     | 21,3                   |                        |
| <b>Machine configuration</b>    |                       | <b>2 Gr</b> | <b>3 Gr</b>            | <b>4 Gr</b>            |                        |

# Body panel assembly - GB/5



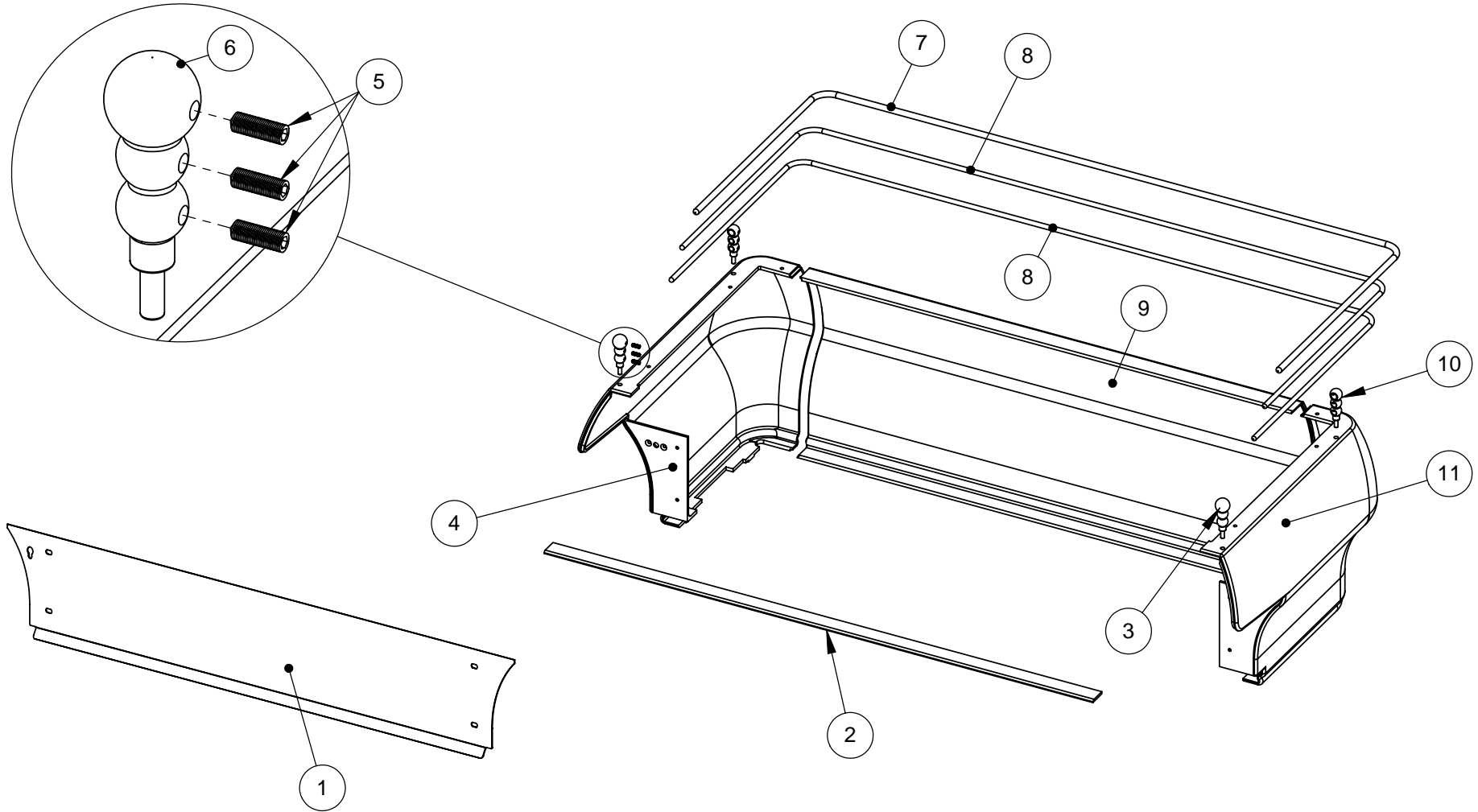
## Body panel assembly - GB/5

|   |             |                           |                              |                                 |
|---|-------------|---------------------------|------------------------------|---------------------------------|
| <b>Carrozzeria - GB/5</b>                   | 1           | L322/P                    | small cable grommet with nut | fermacavo piccolo + ghiera      |
|   | 2           | L322/G                    | big cable grommet with nut   | fermacavo grande + ghiera       |
|   | 3           | C.1.011.*                 | *Gr cup-warmer tray GB/5     | vassoio scaldatazze GB/5 *Gr    |
|   | 4           | C.1.029                   | cup-warmer middle grate      | griglia scaldatazze intermedia  |
|   | 5           | C.1.028                   | cup-warmer large grate       | griglia scaldatazze grande      |
|   | 6           | C.1.016                   | shield for lion              | scudo per leone                 |
|   | 7           | C.1.013                   | GB/5 left side panel         | fianco sx GB/5                  |
|   | 8           | D.1.002                   | bronze lion                  | leone in bronzo                 |
|   | 9           | D.1.001                   | la marzocco bronze label     | targh. la marzocco in bronzo    |
|   | 10          | C.1.015.*                 | *Gr back panel               | pann. posteriore GB/5 *Gr       |
|   | 11          | F.2.001                   | cup-warmer tray corner       | angolare per vassoio scald.     |
|   | 12          | C.1.010                   | small cup-warmer grate       | griglia scaldatazze piccola     |
|   | 13          | C.3.002                   | left front railing corner    | angolo superiore frontale sx    |
|   | 14          | C.1.017.*                 | *Gr back railing GB/5        | ringh. posteriore GB/5 *Gr      |
|   | 15          | C.1.003                   | left lower trim              | cornice inferiore lat. sx       |
|   | 16          | C.3.001                   | upper back corner GB/5       | angolo superiore posteriore     |
|   | 17          | F.1.005                   | pvc foot supports dm.21 GB/5 | supporti piedini pvc dm.21 GB/5 |
|   | 18          | C.1.018                   | GB/5 side railing            | ringhierina laterale            |
|   | 19          | C.1.004                   | right lower trim             | cornice inferiore lat. dx       |
|   | 20          | C.1.002.*                 | *Gr lower trim               | cornice inferiore *Gr           |
|   | 21          | C.2.003                   | left control panel support   | supporto sx pannello interrut.  |
|   | 22          | C.2.001                   | left drain tray corner       | angolo vasca sx                 |
|   | <b>Item</b> | <b>Part number/Codice</b> | <b>Description</b>           | <b>Descrizione</b>              |
| <b>* = number of groups / numero gruppi</b> |             |                           |                              |                                 |

## Body panel assembly - GB/5

|   |     |             |                                    |  |
|---|-----|-------------|------------------------------------|--|
| <b>Carrozzeria - GB/5</b>                   | 23  | C.1.001.*   | *Gr GB/5 frame                     | telaio GB/5 *Gr                                      |
|   | 24  | C.3.003     | right front railing corner         | angolo superiore frontale dx                         |
|   | 25  | C.1.014     | GB/5 right side panel              | fianco dx GB/5                                       |
|   | 26  | >>>>>       | see "Control panel assembly" pages | vedere le pagine dedicate ai "Pannelli di controllo" |
|   | 27  | C.2.005     | lower corner piece                 | angolo cornice base                                  |
|   | 28  | C.2.007     | back high leg for GB/5+FB/80       | gambe alte posteriori GB/5+FB/80                     |
|   | 29  | C.1.009.*   | GB/5 *Gr main switch panel         | pann. interr. generale GB/5 *Gr                      |
|   | 30a | C.1.012.*R  | *Gr cup stand GB/5                 | griglia scar. GB/5 *Gr rialz.                        |
|   | 30b | C.1.012.*   | *Gr drain grate GB/5               | griglia scarico GB/5 *Gr                             |
|   | 31  | C.1.005.*   | *Gr drain tray front cover         | frontale bacinella *Gr                               |
|   | 32  | C.1.006.*   | *Gr drain tray                     | bacinella GB/5 *Gr                                   |
|   | 33  | C.1.020     | box for GB/5 electronics           | scatola per elettronica                              |
|   | 34  | I.1.014     | spring plunger                     | pressore elgn. 33303                                 |
|   | 35  | C.2.006     | front high leg for GB/5+FB80       | gambe alte anteriori GB/5+FB/80                      |
|   | 36  | C.2.004     | right control panel support        | supporto dx pannello interrut.                       |
|   | 37  | C.2.002     | right drain tray corner            | angolo vasca dx                                      |
|   | 38  | C.1.021     | lower corner cover                 | copertura angoli inferiori                           |
|   | 39  | F.1.002     | GB/5 drain box                     | pozzetto di scarico GB/5                             |
|   | 40  | I.3.001     | 10x20 socket head bolt (zinc)      | bullone 10x20 testa brugola                          |
|   | 41  | CL001       | rubber foot                        | zoccolino in gomma                                   |
|   | 42  | I.3.002     | 10x40 socket head bolt (zinc)      | bullone 10x40 testa brugola                          |
|   | 43  | C.1.007     | hot water bracket                  | staffa per acqua calda                               |
|   |     | <b>Item</b> | <b>Part number/Codice</b>          | <b>Description</b>                                   |
| <b>* = number of groups / numero gruppi</b> |     |             |                                    |  |

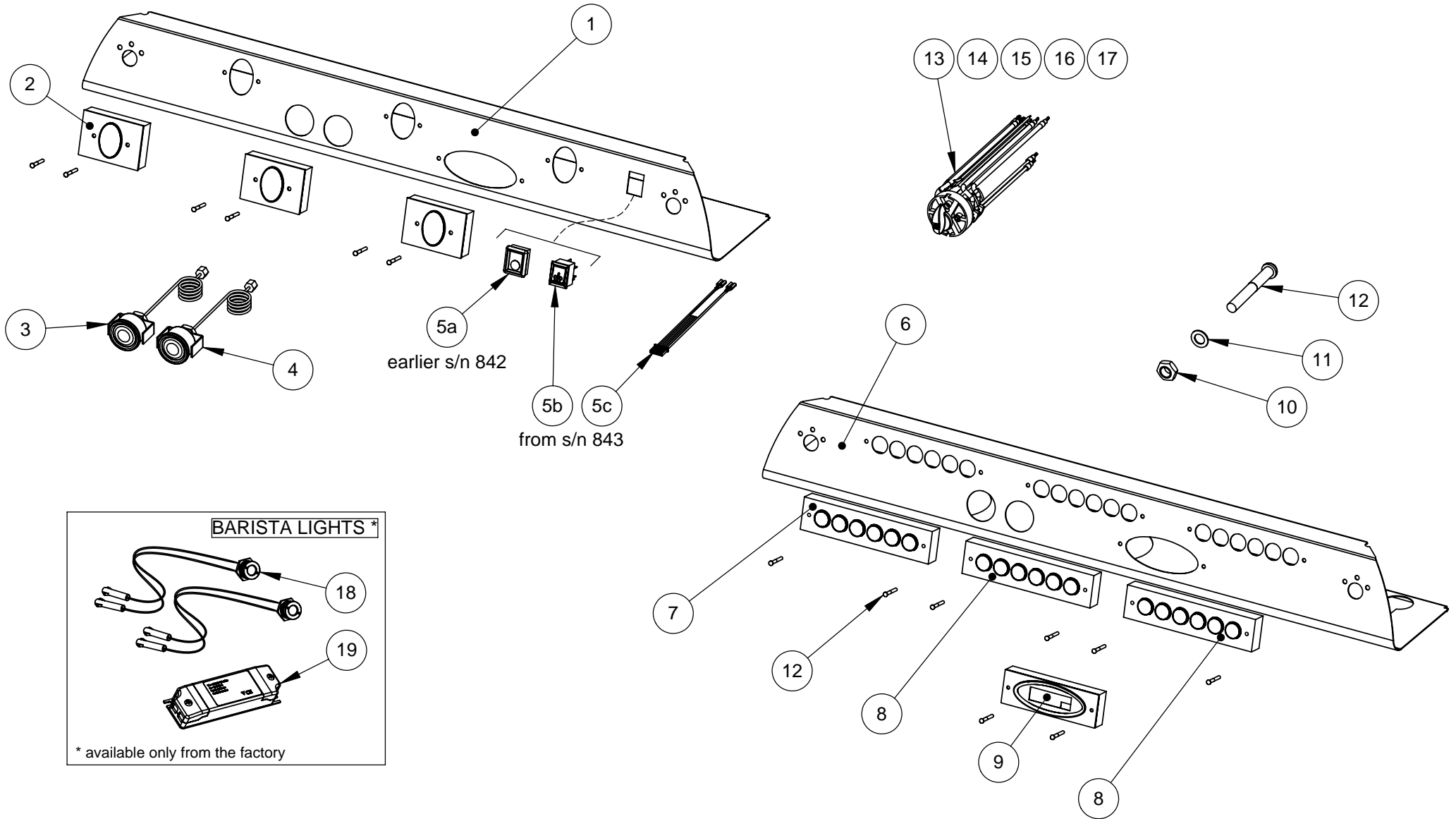
# Body panel assembly - FB/80



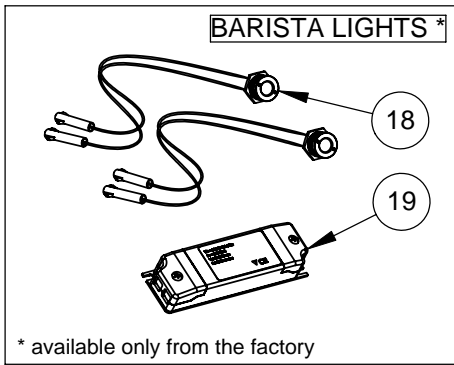
## Body panel assembly - FB/80

|   |             |                           |   |  |
|---|-------------|---------------------------|---|--|
| <b>Carrozzeria - FB/80</b>                  | 1           | C.1.024.*                 | *Gr FB/80 main switch panel                     | pann. interr.gener. FB/80 *Gr                            |
|   | 2           | part of C.2.013.*         | *Gr FB/80 front panel's polyurethane top stripe | * striscia in poliuretano su pannello frontale FB/80 *Gr |
|   | 3           | C.4.001.DX                | FB/80 upper front corner piece right            | angolo sup. frontale FB/80 dx                            |
|   | 4           | C.2.011                   | FB/80 left side panel painted                   | fianco sx FB/80 verniciato                               |
|   | 5           | I.1.016                   | stainless steel M5 grub screw                   | grano M5 inox ringh. FB/80                               |
|   | 6           | C.4.001.SX                | FB/80 upper front corner piece left             | angolo sup. frontale FB/80 sx                            |
|   | 7           | C.1.023.*                 | *Gr FB/80 railing Ø10mm                         | ringhiera FB/80 Ø10mm *Gr                                |
|   | 8           | C.1.022.*                 | *Gr FB/80 railing Ø8mm                          | ringhiera FB/80 Ø8mm *Gr                                 |
|   | 9           | C.2.013.*                 | *Gr FB/80 back side panel painted               | pann. poster. FB/80 vern. *Gr                            |
|   | 10          | C.4.002                   | upper back corner FB/80                         | ang. sup. posteriore FB/80                               |
|   | 11          | C.2.012                   | FB/80 right side panel painted                  | fianco dx FB/80 verniciato                               |
|   | <b>Item</b> | <b>Part number/Codice</b> | <b>Description</b>                              | <b>Descrizione</b>                                       |
| <b>* = number of groups / numero gruppi</b> |             |                           |   |  |

# Control panel assembly - AV & EE



**BARISTA LIGHTS \***

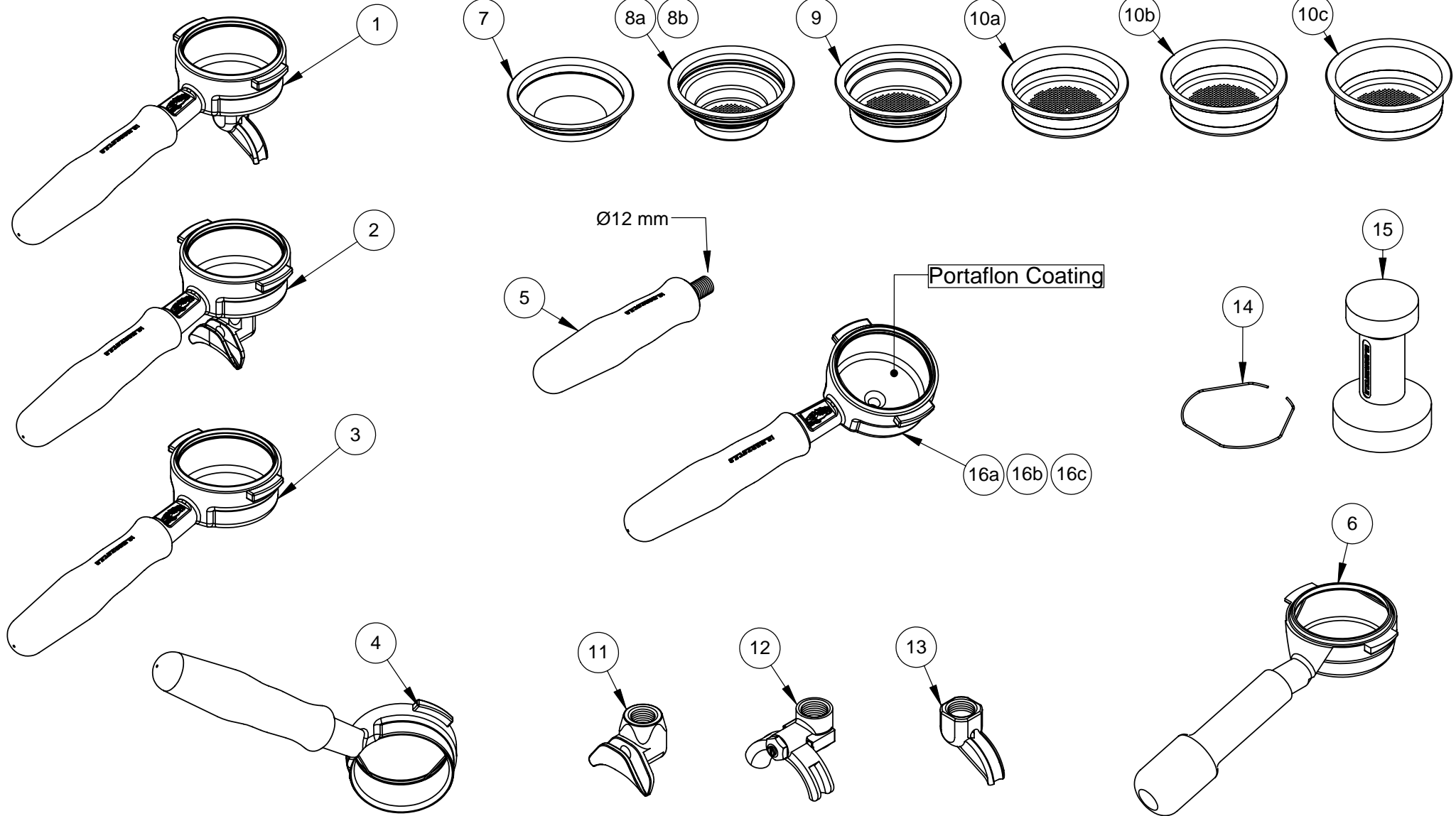


\* available only from the factory

## Control panel assembly - AV & EE

| <b>Pannello di controllo AV &amp; EE</b> | 1           | C.1.019.*                 | GB/5-FB/80 EE *Gr control panel               | frontale interr. GB/5 *Gr EE                  |
|--|-------------|---------------------------|---|---|
|  | 2           | E.1.007                   | GB/5 EE switch                                | pulsante GB/5 EE                              |
|  | 3           | E.3.002                   | press.gauge GB/5 0-3bar+capillary tube        | manometro c. vap. GB/5 0-3 bar+capillare      |
|  | 4           | E.3.001                   | press.gauge GB/5 0-15bar+capillary tube       | manometro c. sat GB/5 0-15bar+capillare       |
|  | 5a          | E.1.008                   | GB/5 hot water switch - earlier s/n 842       | pulsante GB/5 acqua calda - fino al s/n 842   |
|  | 5b          | L286/1                    | white push button with "steam" - from s/n 843 | pulsante tasto bianco vap. nero - dal s/n 843 |
|  | 5c          | E.4.011.1                 | tea cable extension - from s/n 843            | prolunga cablaggio cavo thè - dal s/n 843     |
|  | 6           | C.1.008.*                 | GB/5 *Gr AV control panel                     | fontale interr. GB/5 *Gr AV                   |
|  | 7           | E.1.002                   | prog keypad GB/5                              | pulsantiera progr. GB/5 on off                |
|  | 8           | E.1.003                   | standard keypad GB/5                          | pulsantiera GB/5 thè                          |
|  | 9           | E.1.004                   | LCD display GB/5                              | display LCD con scatola                       |
|  | 10          | DADO4M                    | brass nut M4                                  | dado ottone M4 UNI 5588                       |
|  | 11          | ROND DENT 4               | zinc washer mm 4                              | rondella dentellata mm 4 zinc.                |
|  | 12          | I.2.001                   | keypad screws                                 | viti per fissaggio pulsantiere                |
|  | 13          | E.2.001                   | 32 A bipol. 2 position switch                 | interruttore 32A bipolare a due posizioni     |
|  | 14          | E.2.002                   | 17 A tripol. 2 position switch                | interruttore tripolare 17A due posizioni      |
|  | 15          | L400/32/4                 | 32A pre-wired switch 4Gr                      | commutatore bipolare 32a cabl. 4Gr            |
|  | 16          | L400/17/12                | 16A main switch 1-2Gr                         | commutatore tripolare 16A 1-2Gr               |
|  | 17          | L400/32/T                 | 32A main switch tri-polar                     | commutatore tripolare 32A                     |
| 18                                       | E.4.023     | white Ø16mm LED           | LED Ø16mm bianco                              |   |
| 19                                       | E.4.024     | feeder for UL lights      | alimentatore UL x luci                        |   |
|  | <b>Item</b> | <b>Part number/Codice</b> | <b>Description</b>                            | <b>Descrizione</b>                            |

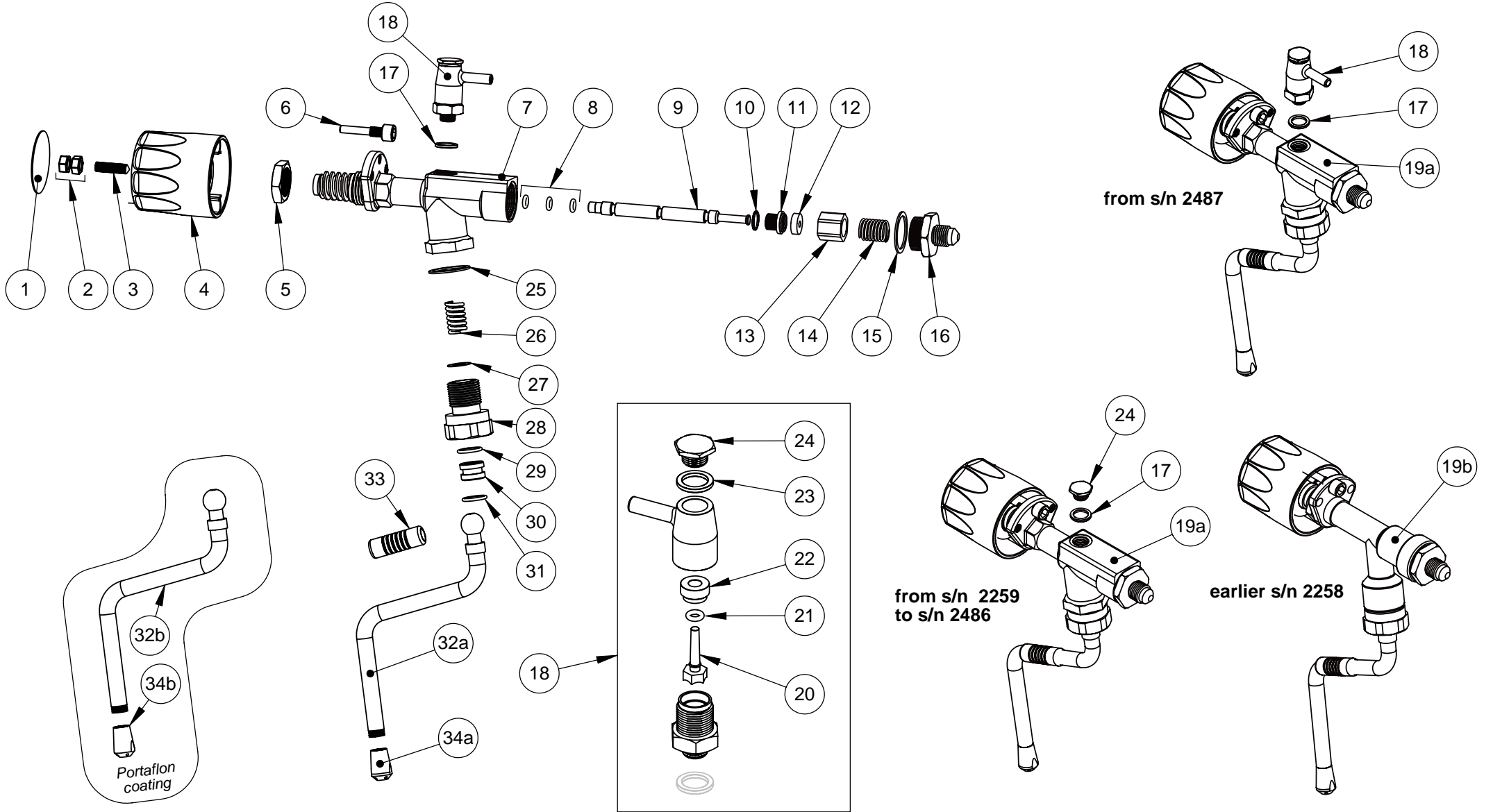
# Portafilter assembly



# Portafilter assembly

| <b>Portafiltri</b> | 1                         | L111/1                               | portafilter with 1 cup spout               | portafiltro 1 tazza                                 |
|--------------------|---------------------------|--------------------------------------|--|---|
|                    | 2                         | L111/2N                              | portafilt. 2 cup non-adj. spout            | portafiltro 2 tazze fisso                           |
|                    | 3                         | L111/LM12                            | portafilter with lion complete             | portafiltro con leone completo                      |
|                    | 4                         | L111/X                               | "naked" portafilter                        | portafiltro "nudo"                                  |
|                    | 5                         | L112/G12                             | portaf. handle - rubber Ø12mm              | manopola portaf. gomma Ø12mm                        |
|                    | 6                         | L111/15D                             | 15° inclined portafilter                   | portafiltro inclinato 15° n.r. completo di manopola |
|                    | 7                         | L115/C                               | blind filter                               | filtro cieco per lavaggio                           |
|                    | 8a                        | L115/A                               | filter 1 cup                               | filtro a 1 tazza                                    |
|                    | 8b                        | L115/F                               | filter 1 cup faema type                    | filtro 1 tazza tipo Faema                           |
|                    | 9                         | L116/A                               | filter 2 cups                              | filtro a 2 tazze                                    |
|                    | 10a                       | 5.128                                | 19mm filter basket Swift                   | 19mm filter basket Swift                            |
|                    | 10b                       | 5.127                                | 22mm Swift filter basket                   | filtro swift 22mm                                   |
|                    | 10c                       | 5.133                                | triple filter basket                       | triple filter basket                                |
|                    | 11                        | L119                                 | La Marzocco fixed double spout             | beccuccio a due tazze fisso La Marzocco             |
|                    | 12                        | L116/R                               | 2 cups spout - adjustable                  | beccuccio a 2 tazze regolabile                      |
|                    | 13                        | L115                                 | 1 cup spout                                | beccuccio a 1 tazza                                 |
| 14                 | L113                      | portafilter spring                   | molletta fermafiltro                       |   |
| 15                 | L117                      | coffee tamper                        | pressino in nylon                          |   |
| 16a                | L111/1TF                  | Portaflon-coated portafilter         | portafiltro 1 tazza "Portaflon"            |   |
| 16b                | L111/2NTF                 | 2 cups portafilter Portaflon-coated  | portafiltro 2 tazze fisso "Portaflon"      |   |
| 16c                | L111/LM12TF               | portafilter with lion with Portaflon | portafiltro con leone completo "Portaflon" |   |
| <i>Item</i>        | <i>Part Number/Codice</i> | <i>Description</i>                   | <i>Descrizione</i>                         |   |

# Steam wand assembly



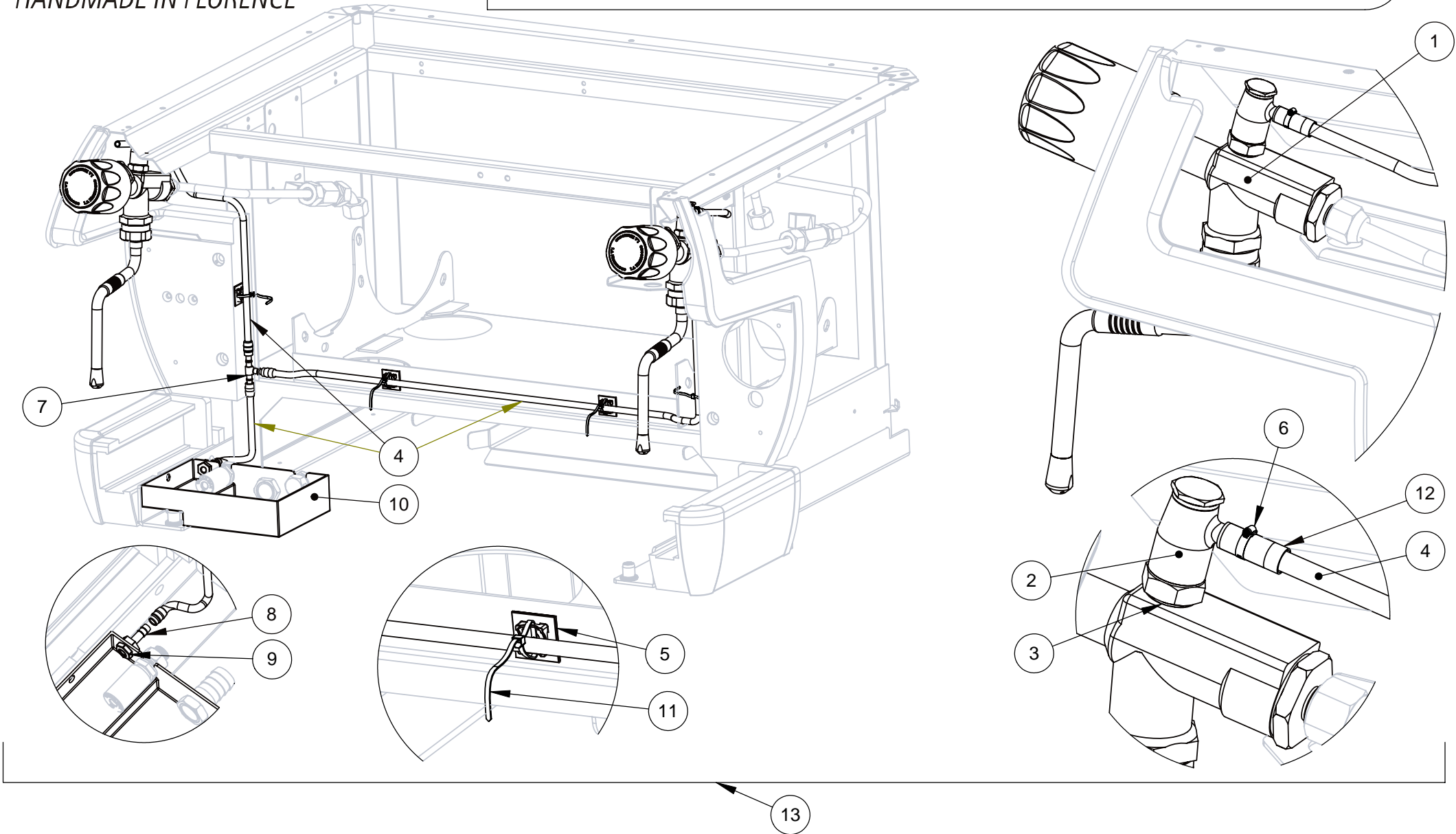
# Steam wand assembly

| <i>Item</i> | <i>Part Number/Codice</i> | <i>Description</i>                               | <i>Descrizione</i>                                    |
|-------------|---------------------------|--|---|
| 1           | F.1.007                   | knob cover with logo                             | tappo manop. vap. GB/5                                |
| 2           | A.2.008                   | brass nut M6                                     | dado ot. M6 CH9x4,5                                   |
| 3           | I.3.003                   | grub screw                                       | grano M6x16 brunito                                   |
| 4           | F.1.006                   | steam valve knob                                 | manopola rub. vap. GB/5                               |
| 5           | A.1.006                   | mounting nut, steam valve                        | dado 1/2" ES.24 H6                                    |
| 6           | I.1.015                   | body valve screw                                 | vite M6 fermo manopola                                |
| 7           | A.1.001.01                | steam valve body                                 | corpo rub. vap. GB/5                                  |
| 8           | H.1.005                   | O-ring, steam valve shaft                        | O-ring Viton per asta rub. vap.                       |
| 9           | A.1.002                   | steam valve shaft                                | asta Ø8 per rub. vap.                                 |
| 10          | F.4.001                   | Teflon gasket 12x9,8x1                           | guarnizione Teflon 12x9,8x1                           |
| 11          | F.3.007                   | stainless steel seat                             | sede AISI 316 per rub. GB/5                           |
| 12          | H.2.001                   | seat gasket                                      | guarniz. tenuta rub. vap. GB/5                        |
| 13          | A.1.004                   | valve seal holder                                | racc. per guarn. tenuta                               |
| 14          | F.3.005                   | spring, steam valve shaft                        | molla per tenuta                                      |
| 15          | H.2.002                   | PTFE gasket 24x19x2                              | guarniz. PTFE 24x19x2                                 |
| 16          | A.1.003                   | rear tube connector                              | raccordo ingr. rub vap. GB/5                          |
| 17          | L100/D                    | copper washer 14x10x1,5                          | rondella rame 14x10x1,5                               |
| 18          | L192                      | anti-suction steam valve                         | valvola antirisucchio per rubinetto vapore            |
| 19a         | B.1.001.01                | inclined steam valve complete - from s/n 2259    | rubinetto vapore inclinato completo - da s/n 2259     |
| 19b         | B.1.001                   | inclined steam valve complete - earlier s/n 2258 | rubinetto vapore inclinato completo - fino a s/n 2258 |
| 20          | B.2.013                   | anti-suction valve shaft                         | asta per valvola antirisucchio                        |
| 21          | F.2.019                   | silicon O-ring 102 70SHA                         | O-ring 102 silicone 70SHA                             |
| 22          | B.3.001                   | Teflon seal for anti-suction valve               | tenuta in Teflon per valvola antirisucchio            |

# Steam wand wssembly

| <b>Lancia - Rubinetto Vapore</b> | 23                        | B.1.001.TR         | washer for anti-suction steam valve cap    | rondella x tappo rub. vapore c/antirisucchio          |
|----------------------------------|---------------------------|--------------------|--|---|
|                                  | 24                        | B.1.001.T          | 1/8" cap for anti-suction steam valve      | tappo 1/8" rub. vapore c/antirisucchio                |
|                                  | 25                        | L260/1A            | copper washer 27x21x1,5                    | rondella rame 27x21x1,5                               |
|                                  | 26                        | F.3.004            | steam wand sealing spring                  | molla per tubo vap. GB/5                              |
|                                  | 27                        | I.4.001            | brass washer 14x7x0,5                      | rondella ottone 14x7x0,5                              |
|                                  | 28                        | A.1.005            | steam wand adaptor                         | racc. 1/2" per tubo vap GB/5                          |
|                                  | 29                        | H.1.004            | O-ring, steam wand                         | O-ring 3043 10,77x2,62 85 SH                          |
|                                  | 30                        | H.2.003            | steam wand sealing                         | guarn. PTFE per snodo tubo vap.                       |
|                                  | 31                        | H.1.003            | O-ring 117 2,62x13,1 Viton 85 SH           | O-ring 2,62x13,1 Viton per tubo vap.                  |
|                                  | 32a                       | T.2.001            | steam wand for GB/5                        | tubo vapore per GB/5                                  |
|                                  | 32b                       | T.2.001.TF         | steam wand for GB/5 with Portaflon coating | tubo vapore per GB/5 rivestito in Portaflon           |
|                                  | 33                        | L171/G             | rubber steam tube cover                    | gommino antiscottat. tubo vap.                        |
|                                  | 34a                       | L173               | S/S steam wand tip                         | spruzzatore inox x tubo vapore                        |
|                                  | 34b                       | L173TF             | Portaflon-coated steam wand tip            | spruzzatore inox x tubo vapore rivestito in Portaflon |
| <i>Item</i>                      | <i>Part Number/Codice</i> | <i>Description</i> | <i>Descrizione</i>                         |   |

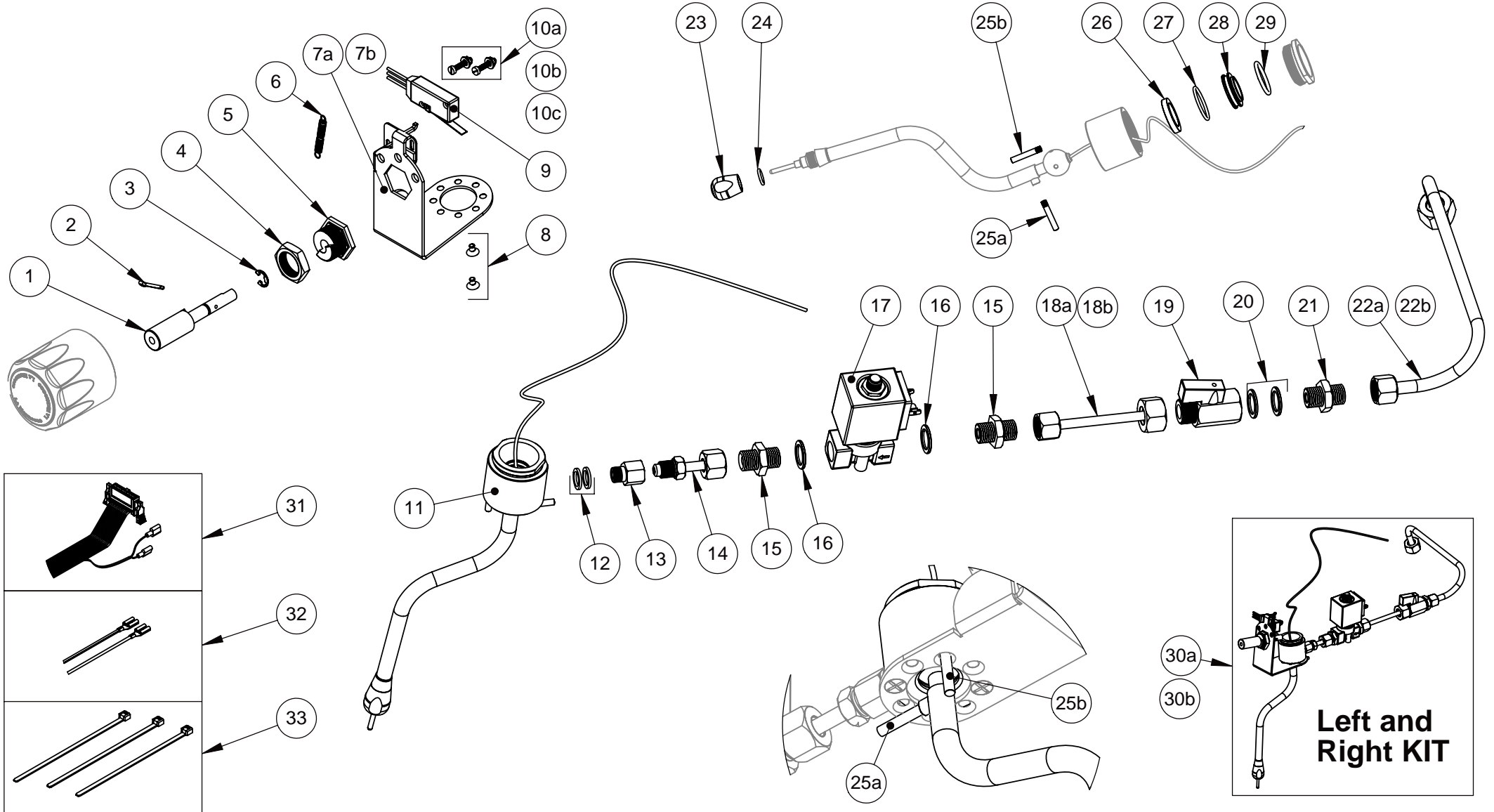
# Anti-suction steam valve kit



## Anti-suction steam valve kit

| <b>Kit antirisucchio - Rubinetto vapore</b> | 1                         | B.1.001.01         | inclined steam valve complete - from s/n 2259          | rubinetto vapore inclinato completo - da s/n 2259           |
|---|---------------------------|--------------------|--|---|
|   | 2                         | L192               | anti-suction steam valve                               | valvola antirisucchio per rubinetto vapore                  |
|   | 3                         | L100/D             | copper washer 14x10x1,5                                | rondella rame 14x10x1,5                                     |
|   | 4                         | T.4.001            | silicon tube for anti-suction valve - specify how long | tubo silicone valvola antirisucchio - specificare lunghezza |
|   | 5                         | 5.V010             | adhesive fastners                                      | incollini   |
|   | 6                         | A.5.007            | hose clamp   | fascetta 8-12 banda 8 vite zincata                          |
|   | 7                         | A.7.001            | T fitting for anti-suction system                      | raccordo a T x antirisucchio                                |
|   | 8                         | L292               | tube fitting   | portagomma  |
|   | 9                         | L292/R             | lock nut 1/8"  | raccordo portagomma 1/8"                                    |
|   | 10                        | F.1.002.01         | drain box  | pozzetto di scarico   |
|   | 11                        | L338/L100          | plastic fastener 100x2,5                               | fascetta fermafilo 100x2,5                                  |
|   | 12                        | L339/1             | vetrotex Ø6 sheath                                     | guaina vetrotex Ø6  |
|   | 13                        | B.1.001.X          | anti-suction steam valve complete kit                  | kit antirisucchio per rubinetti vapore completo             |
| <i>Item</i>                                 | <i>Part Number/Codice</i> | <i>Description</i> | <i>Descrizione</i>                                     |   |

# Autosteam assembly



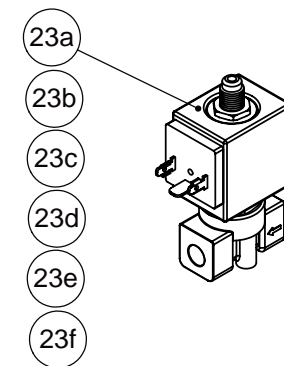
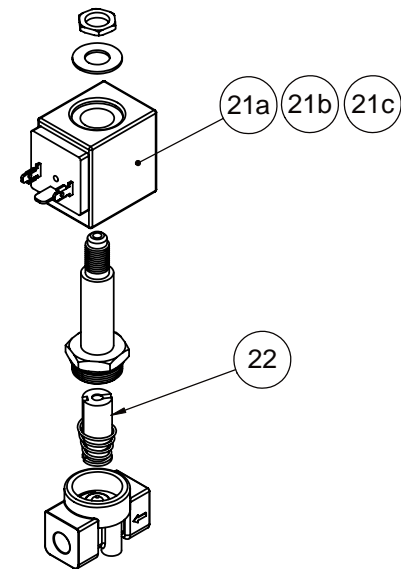
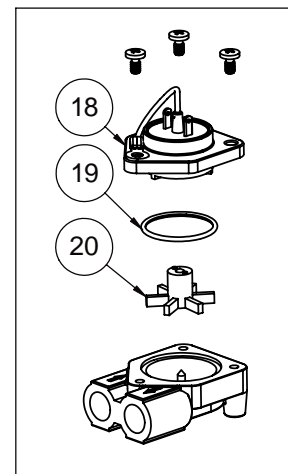
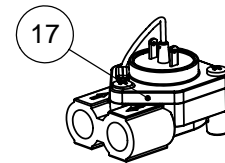
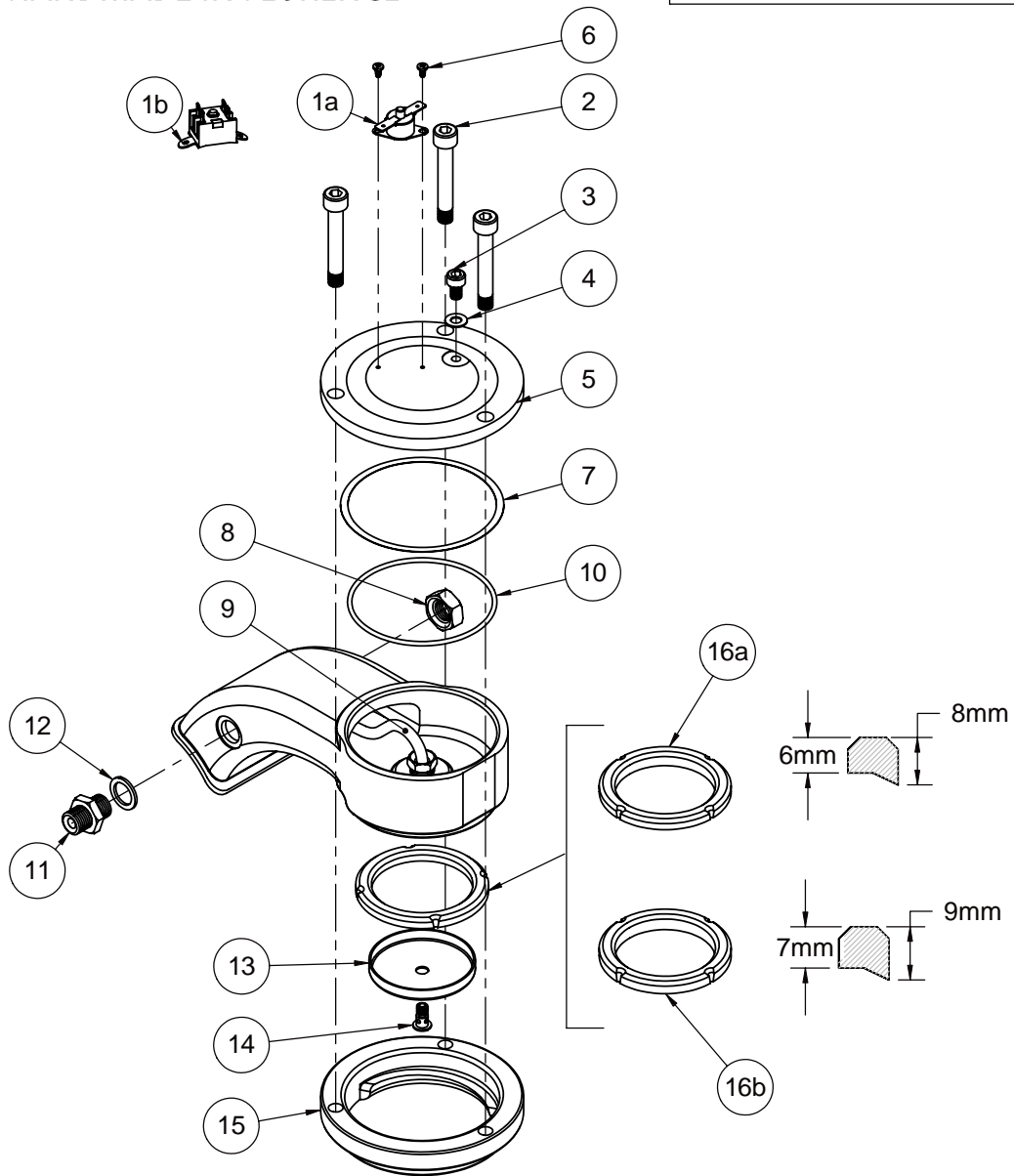
# Autosteam assembly

| <b>Autosteam</b> | 1           | A.1.007   | autosteam cam shaft                    | albero a camme autosteam         |
|------------------|-------------|---|--|----------------------------------|
|                  | 2           | L165/8  | cotter pin                             | coppiglia fermo volantino inox   |
|                  | 3           | I.1.023   | seeger ring                            | anello seeger per albero autost. |
|                  | 4           | A.1.006   | mounting nut steam valve               | dado 1/2" ES24 H6                |
|                  | 5           | A.1.008   | autosteam shaft support                | supporto albero per autosteam    |
|                  | 6           | I.5.001   | autosteam spring shaft                 | molla inox per manopola autost.  |
|                  | 7a          | C.1.058.DX  | autosteam right support                | supporto lancia autosteam dx     |
|                  | 7b          | C.1.058.SX  | autosteam left support                 | supporto lancia autosteam sx     |
|                  | 8           | I.1.021   | S/S flared screw M4x6mm                | vite inox svas. M4x6mm           |
|                  | 9           | E.2.011   | autosteam micro switch                 | micro per autosteam              |
|                  | 10a         | VITE3x16  | brass screw 3x16 tc din 84             | vite ottone 3x16 tc din 84       |
|                  | 10b         | RONDELLA4x9   | brass washer 4x9                       | rondella ottone 4x9 sp.0,8       |
|                  | 10c         | DADO3M  | brass nut M3                           | dado ottone M3 UNI 5588          |
|                  | 11          | T.2.002   | autosteam wand with PT1000 temp. probe | lancia vap. con PT1000 autosteam |
|                  | 12          | L100/D  | copper washer 14x10x1,5                | rondella rame 14x10x1,5          |
|                  | 13          | L100/C  | fitting for 3 way solenoid valve       | raccordo 1/8"M-1/8"F EV 3 vie    |
|                  | 14          | T.1.002   | solenoid valve "t" tube                | tubo "t" - EV cod.B              |
|                  | 15          | L037/3  | 1/4" nipple nickel-plated              | nipplo 1/4"M es19 nichelato      |
|                  | 16          | L100/1A   | copper washer                          | rondella rame 19x13,5x1,5        |
| 17               | B.2.009     | stainless steel solenoid valve Ø5,5mm                 | EV AISI316 per autosteam Ø5,5mm        |                                  |
| 18a              | T.1.050     | ball valve aut/steam s/valve tubing connection        | tubo rubinsfera - EV autosteam         |                                  |
| 18b              | T.1.050.SX  | ball valve aut/steam s/valve tubing connection - left | tubo rubinsfera - EV autosteam - sx    |                                  |
| 19               | L164        | ball valve with metal knob                            | rubinetto a sfera 3/8"M-F              |                                  |
|                  | <b>Item</b> | <b>Part Number/Codice</b>                             | <b>Description</b>                     | <b>Descrizione</b>               |

# Autosteam assembly

| <b>Autosteam</b> | 20          | L180/1                          | copper washer                               | rondella rame 22x17x1,5                   |
|------------------|-------------|---------------------------------|---|---|
|                  | 21          | L305/N                          | nipplo 3/8" M - 3/8" M                      | nipplo 3/8"M - 3/8"M                      |
|                  | 22a         | T.1.020                         | s. boiler b. valve tubing connection        | tubo c.vap.-rub.sfera - destro            |
|                  | 22b         | T.1.010                         | s. boiler b. valve tubing connection - left | tubo c.vap.-rub.sfera - sinistro          |
|                  | 23          | L177                            | autosteam tip                               | diffusore autosteam                       |
|                  | 24          | F.2.016                         | autosteam tip O-ring                        | O-ring diffusore autosteam                |
|                  | 25a         | I.1.022.C                       | short limit pin                             | piolino fine corsa lancia autosteam corto |
|                  | 25b         | I.1.022                         | limit pin                                   | piolino fine corsa lancia autosteam       |
|                  | 26          | F.4.004                         | bottom PTFE gasket                          | guarnizione in PTFE inferiore             |
|                  | 27          | F.4.003                         | autosteam top seat O-ring                   | O-ring per tenuta superiore in PTFE       |
|                  | 28          | F.4.002                         | top PTFE gasket                             | guarnizione in PTFE superiore             |
|                  | 29          | F.2.015                         | top O-ring                                  | O-ring pressore                           |
|                  | 30a         | 980                             | right autosteam kit                         | kit autosteam destro                      |
|                  | 30b         | 980SX                           | left autosteam kit                          | kit autosteam sinistro                    |
| 31               | LAD3D5/A    | autosteam switch CPU flat cable | flat per CPU                                |   |
| 32               | E.4.017     | autosteam solenoid valve wiring | cablaggio EV autosteam                      |   |
| 33               | 5.V001      | UL cable ties                   | fascette UL                                 |   |
|                  | <b>Item</b> | <b>Part Number/Codice</b>       | <b>Description</b>                          | <b>Descrizione</b>                        |

**Group**





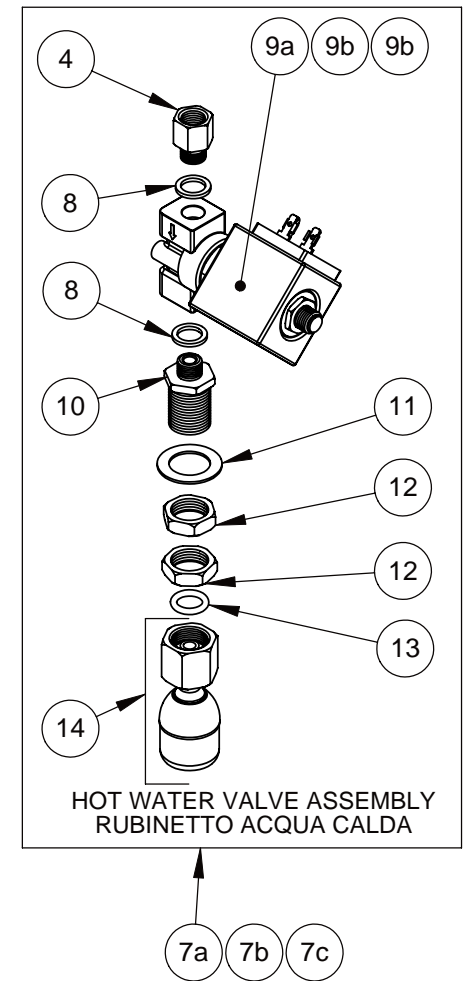
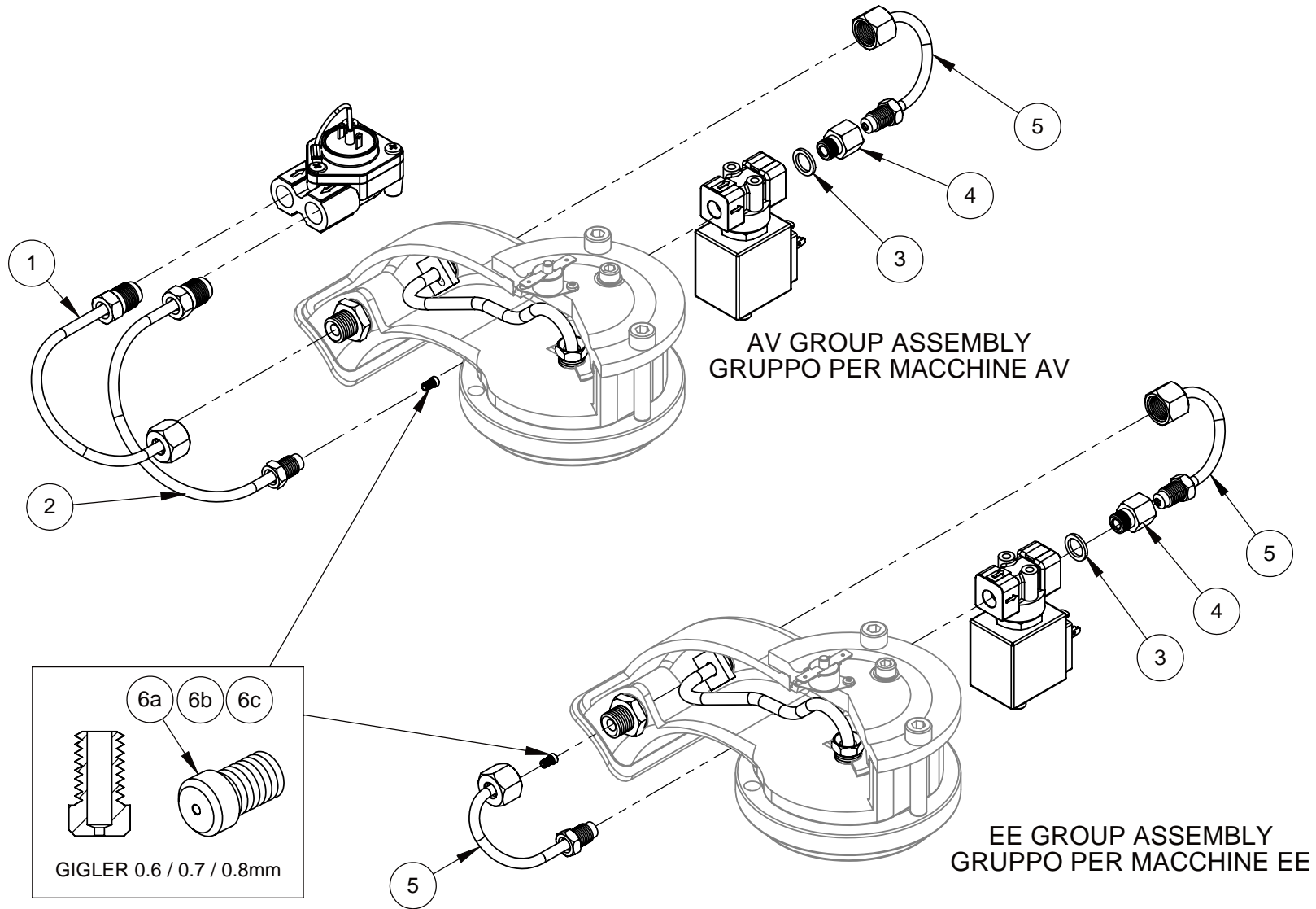
HANDMADE IN FLORENCE

# Group

| <i>Item</i> | <i>Part Number/Codice</i> | <i>Description</i>                   | <i>Descrizione</i>                       |
|-------------|---------------------------|--------------------------------------|--|
| 1a          | L276                      | UL unipolar safety thermostat 250°F  | termostato sicurezza 130° C unipolare    |
| 1b          | L276/B                    | bipolar safety thermostat 250°F      | termostato sicurezza 130° C bipolare     |
| 2           | L110                      | group assembly bolt S/S              | bullone 8x52 fil.8 brugola acc.inox      |
| 3           | L120/2                    | level drain bolt                     | bullone acc.inox 6x10 t.brug.            |
| 4           | L120/2A                   | copper washer 12x6x1                 | rondella rame 12x6x1                     |
| 5           | L103                      | group cover                          | coperchio gruppo                         |
| 6           | VITEAUT2,9x4,5            | screw 2,9x4,5                        | vite autofilt. fe zin. 2,9x4,5           |
| 7           | L103/B                    | group fiber gasket                   | guarn. piana 87x81x0,5                   |
| 8           | L100/5                    | locknut, 1/4"                        | controdado 1/4" gas es.20                |
| 9           | TL29                      | tube, internal group                 | tubo interno gruppo                      |
| 10          | L103/A                    | group cover O-ring                   | guarnizione or 8-2-151 Viton             |
| 11          | L037/3                    | fitting, 1/4" BSPP to 1/4" BSPP      | nipplo 1/4"M. es.19 nichelato            |
| 12          | L100/1A                   | copper washer, 19x13.5x1.5           | rondella rame 19x13,5x1,5                |
| 13          | L107                      | diffuser screen                      | doccetta                                 |
| 14          | L106/V                    | diffuser screw                       | vite diffusore acc. inox dm.10           |
| 15          | L109                      | chromium plated bayonet ring         | anello portacoppa cromato                |
| 16a         | L105/B8                   | 8mm group gasket (standard)          | guarn. sottocoppa 8mm (standard)         |
| 16b         | L105/B9                   | 9mm group gasket                     | guarn. sottocoppa 9mm                    |
| 17          | LAD070                    | flow meter assembly, complete        | contatore volumetrico                    |
| 18          | LAD070/S                  | flow meter sensor                    | sensore del contatore volumetrico        |
| 19          | LAD070/S1                 | flow meter O-ring                    | guarn.O-ring 8-2112 v.x cont.vol.        |
| 20          | LAD070/V                  | flow meter impeller                  | girante per contatore volumetrico        |
| 21a         | L100/G                    | solenoid coil, 220V                  | bobina a 220V x elettrovalvola           |
| 21b         | L100/G200                 | solenoid coil, 200V                  | bobina a 200V x elettrovalvola           |
| 21c         | L100/G240                 | solenoid coil, 240V                  | bobina a 240V x elettrovalvola           |
| 22          | L100/H                    | solenoid plunger, 3 way and 2 way    | nucleo mobile x elettrovalv. 3 vie/2 vie |
| 23a         | L100/E                    | solenoid valve assembly, 3 way, 220V | elettrovalvola 3 vie, 220V               |
| 23b         | L100/E200                 | solenoid valve assembly, 3 way, 200V | elettrovalvola 3 vie, 200V               |
| 23c         | L100/E240                 | solenoid valve assembly, 3 way, 240V | elettrovalvola 3 vie, 240V               |
| 23d         | L053                      | solenoid valve assembly, 2 way, 220V | elettrovalvola 2 vie, 220V               |
| 23e         | L053/200                  | solenoid valve assembly, 2 way, 200V | elettrovalvola 2 vie, 200V               |
| 23f         | L053/240                  | solenoid valve assembly, 2 way, 240V | elettrovalvola 2 vie, 240V               |

**Gruppo**

# Group assembly

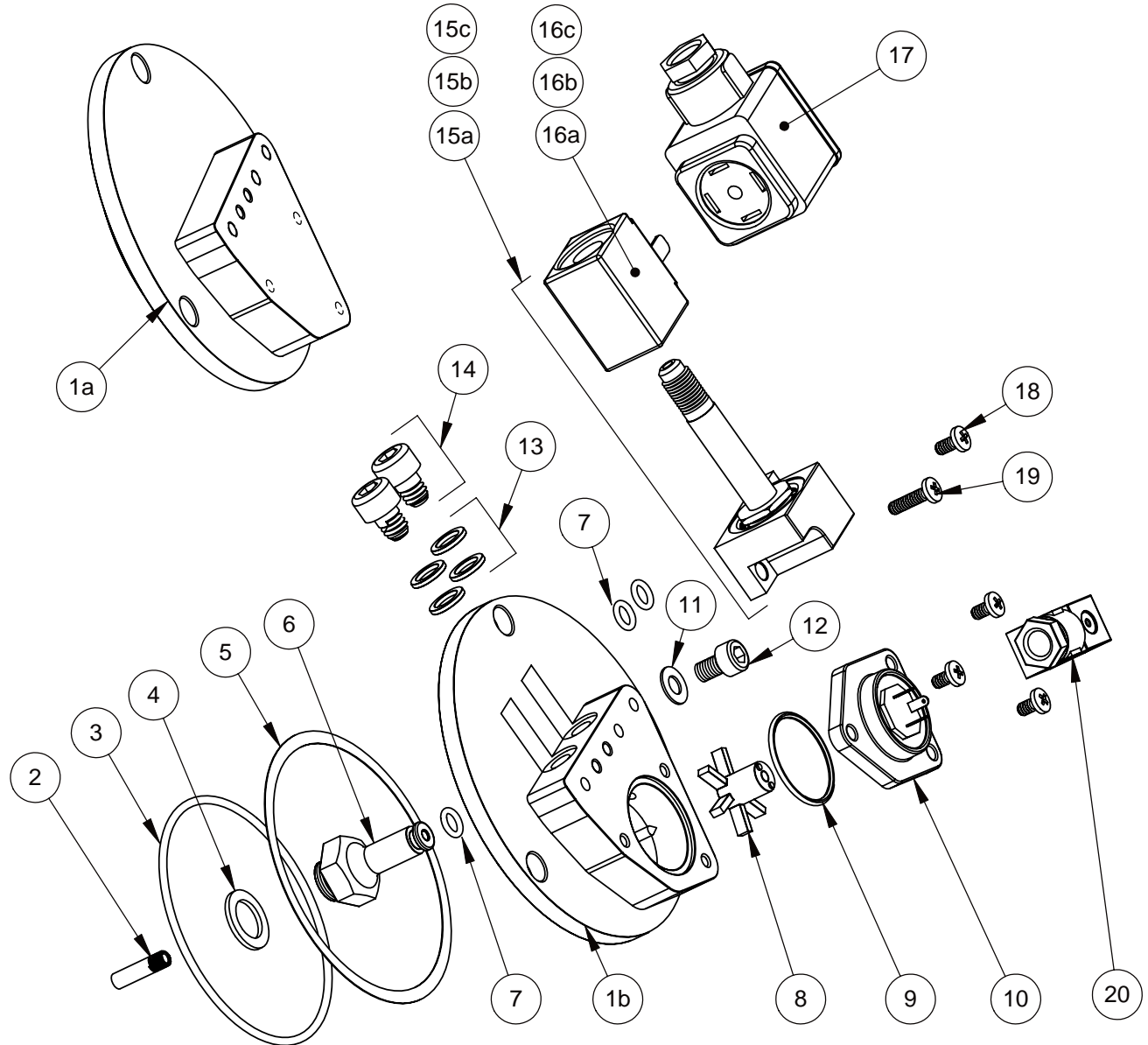
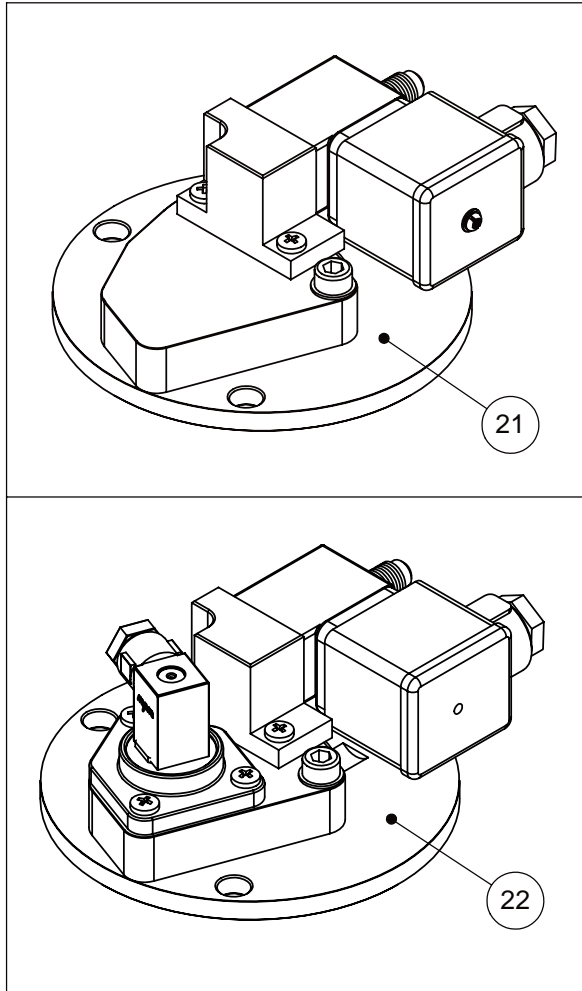


## Group assembly

| <b>Gruppo completo</b> | 1           | TLAD01                                      | tube, group assembly to flow meter, 2, 3 or 4Gr  | tubo gruppo-contatore volumetrico, 2/3/4 Gr        |
|------------------------|-------------|---|--|--|
|                        | 2           | TLAD02                                      | tube, flow meter to solenoid valve, 2, 3 or 4Gr  | tubo contatore volumetrico-elettrovalvola 2/3/4 Gr |
|                        | 3           | L100/D                                      | copper washer                                    | rondella rame 14x10x1,5                            |
|                        | 4           | L100/C                                      | fitting 1/8"M to 1/8"F                           | raccordo 1/8"M-1/8"F elettrovalvola 3 vie          |
|                        | 5           | TL25/26                                     | solenoid valve tube                              | tubo gruppo-elettrovalvola                         |
|                        | 6a          | L087/GI6                                    | gigler 0,6mm                                     | gigler 0,6mm                                       |
|                        | 6b          | L087/GI7                                    | gigler 0,7mm                                     | gigler 0,7mm                                       |
|                        | 6c          | L087/GI8                                    | gigler 0,8mm                                     | gigler 0,8mm                                       |
|                        | 7a          | L053/D                                      | hot water valve complete, 220V                   | valvola acqua calda completa, 220V                 |
|                        | 7b          | 'L053/D200                                  | hot water valve complete, 200V                   | valvola acqua calda completa, 200V                 |
|                        | 7c          | 'L053/D240                                  | hot water valve complete, 240V                   | valvola acqua calda completa, 240V                 |
|                        | 8           | L100/D                                      | copper washer                                    | rondella rame 14x10x1,5                            |
|                        | 9a          | L053  | solenoid valve, 2 way, hot water, 220V           | elettrovalvola 2 vie, 220V                         |
|                        | 9b          | L053/200                                    | solenoid valve, 2 way, hot water, 200V           | elettrovalvola 2 vie, 200V                         |
| 9c                     | L053/240    | solenoid valve, 2 way, hot water, 240V      | elettrovalvola 2 vie, 240V                       |  |
| 10                     | L053/2      | fitting, solenoid valve to hot water spout  | raccordo nichelato 1/8"M-3/8"M elettrovalv.2 vie |  |
| 11                     | L165/2      | washer, steam wand                          | rondella ottonexsnodo 16x26x1                    |  |
| 12                     | L183/1      | locknut, for hot water valve, chrome plated | controdado 3/8" cromato                          |  |
| 13                     | L169/A1     | Teflon gasket                               | guarnizione Teflon FA 112                        |  |
| 14                     | L160        | hot water spout                             | diffusore acqua calda                            |  |
|                        | <b>Item</b> | <b>Part number/Codice</b>                   | <b>Description</b>                               | <b>Descrizione</b>                                 |

Group Caps are standard from s/n 2075  
 I Group Cap sono montati come standard dal s/n 2075

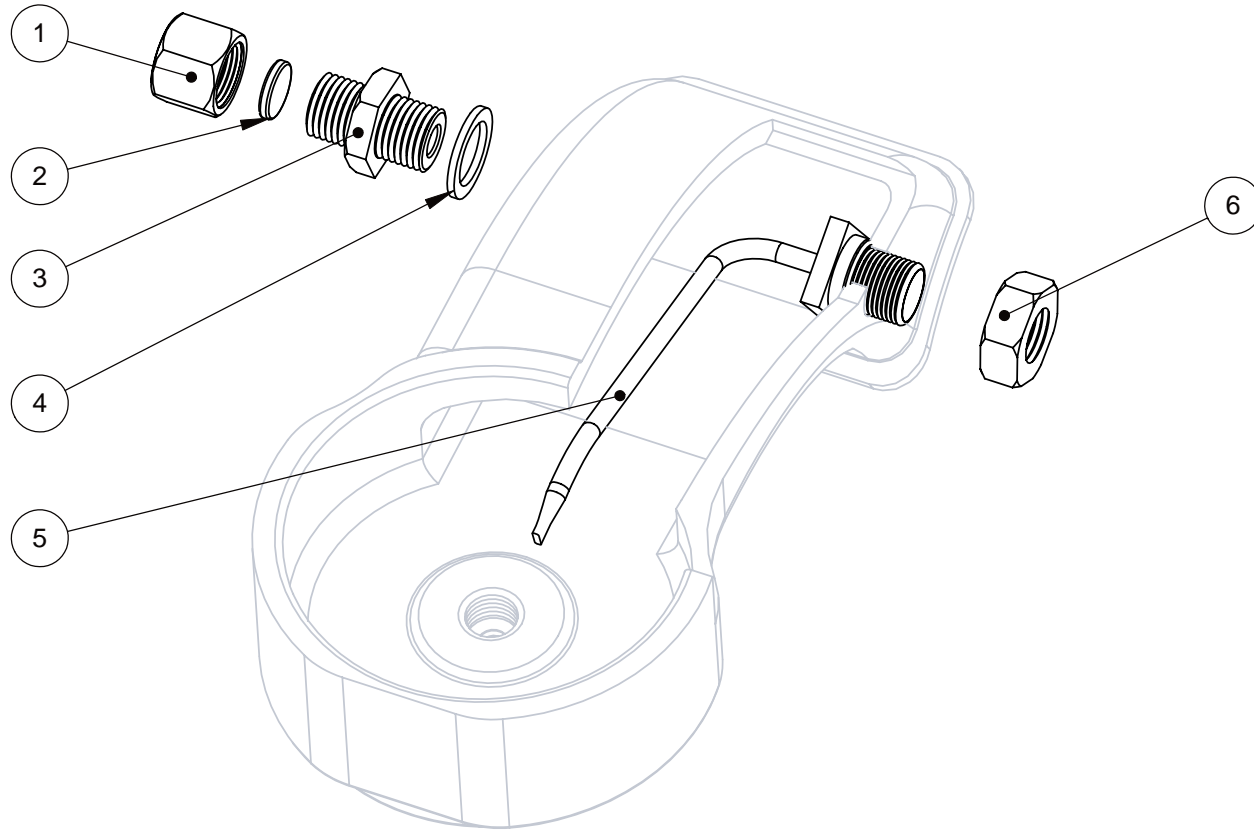
# Group cap assembly - AV & EE



## Group cap assembly - AV & EE

| <b>Coperchio gruppo - AV &amp; EE</b> | 1a          | L103/EE                   | group cover for EE model                 | coperchio mod. EE nichelato                   |
|---------------------------------------|-------------|---------------------------|--|---|
|                                       | 1b          | L103/FGC                  | group cover with flow-meter for AV model | coperchio + flussometro nichelato per mod. AV |
|                                       | 2           | F.2.003                   | ruby restrictor                          | gigler in rubino sintetico                    |
|                                       | 3           | L103/A                    | group cover O-ring                       | guarnizione or 8-2-151 Viton                  |
|                                       | 4           | L100/1A                   | copper washer                            | rondella rame 19x13,5x1,5                     |
|                                       | 5           | L103/B                    | group fiber gasket                       | guarn. piana 87x81x0,5                        |
|                                       | 6           | A.2.009                   | adaptor                                  | canotto erogazione                            |
|                                       | 7           | H.1.006                   | O-ring adaptor                           | O-ring per canotto                            |
|                                       | 8           | LAD070/V                  | flow-meter impeller                      | girante per contatore volumetrico             |
|                                       | 9           | LAD070/S1                 | flow-meter O-ring                        | O-ring contatore volumetrico                  |
|                                       | 10          | LAD070/GC                 | flow-meter sensor                        | testa contatore volumetrico                   |
|                                       | 11          | L120/2A                   | copper washer                            | rondella rame 12x6x1                          |
|                                       | 12          | L120/2                    | level drain bolt                         | bullone acc.inox 6x10 t.brug.                 |
|                                       | 13          | I.4.002                   | copper washer                            | rondella rame 12x8x1,5                        |
|                                       | 14          | I.1.019                   | stainless steel hexagonal bolt           | viti inox m8x10 t.cil. brugola                |
|                                       | 15a         | B.2.004                   | 3-way solenoid valve 90°                 | elettrovalvola 3vie a 90°                     |
|                                       | 15b         | B.2.004/200               | 3-way solenoid valve 90° 200V            | elettrovalvola 3vie a 90° 200V                |
|                                       | 15c         | B.2.004/240               | 3-way solenoid valve 90° 240V            | elettrovalvola 3vie a 90° 240V                |
|                                       | 16a         | L100/G                    | solenoid coil 220V                       | bobina per elettrovalvola 220V                |
|                                       | 16b         | L100/G200                 | solenoid coil 200V                       | bobina per elettrovalvola 200V                |
|                                       | 16c         | L100/G240                 | solenoid coil 240V                       | bobina per elettrovalvola 240V                |
|                                       | 17          | L205                      | solenoid valve connector                 | connettore per elettrovalvola                 |
|                                       | 18          | I.1.005                   | hexagonal bolt 5x10                      | bullone 5x10 testa brugola                    |
|                                       | 19          | I.1.011                   | hexagonal bolt 5x14                      | bullone 5x14 testa brugola                    |
| 20                                    | LAD070/CGC  | flow-meter connector      | connettore per flussometro               |   |
| 21                                    | 940/EE      | EE group cap kit          | kit nuovo coperchio gruppo EE            |   |
| 22                                    | 940/AV      | AV group cap kit          | kit nuovo coperchio gruppo AV            |   |
|                                       | <b>Item</b> | <b>Part Number/Codice</b> | <b>Description</b>                       | <b>Descrizione</b>                            |

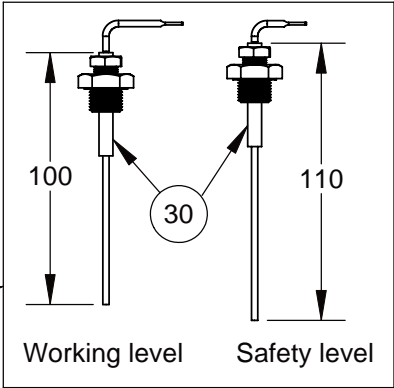
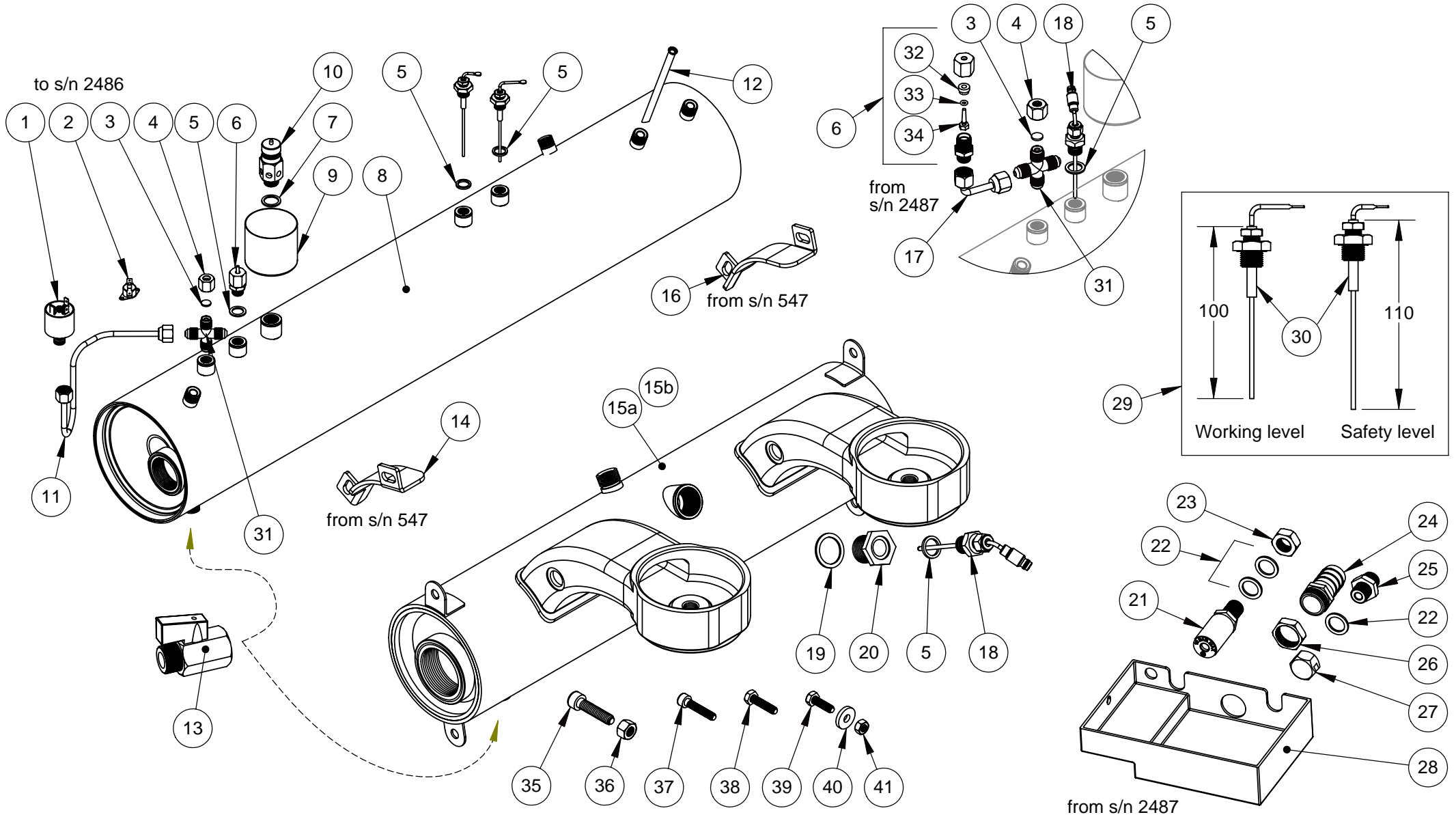
# Group cap assembly - AV & EE



## Group cap assembly - AV & EE

| <b>Coperchio gruppo<br/>- AV &amp; EE</b> | 1           | L130/4                    | 1/4" flat nut             | racc. 1/4"F interno piano es17 |
|---|-------------|---------------------------|---------------------------|--------------------------------|
|   | 2           | L137/4                    | 11mm blind ferrule        | ghiandina Ø11mm                |
|   | 3           | L037/3                    | 1/4" nipple nickel-plated | nipplo 1/4"M es19 nichelato    |
|   | 4           | L100/1A                   | copper washer             | rondella rame 19x13,5x1,5      |
|   | 5           | B.1.003                   | right cap for group       | tappo dx per gruppo            |
|   | 6           | L100/5                    | inside lock nut           | dado 1/4" gas es20             |
|   | <i>Item</i> | <i>Part Number/Codice</i> | <i>Description</i>        |                                |

# Boiler assembly



from s/n 2487

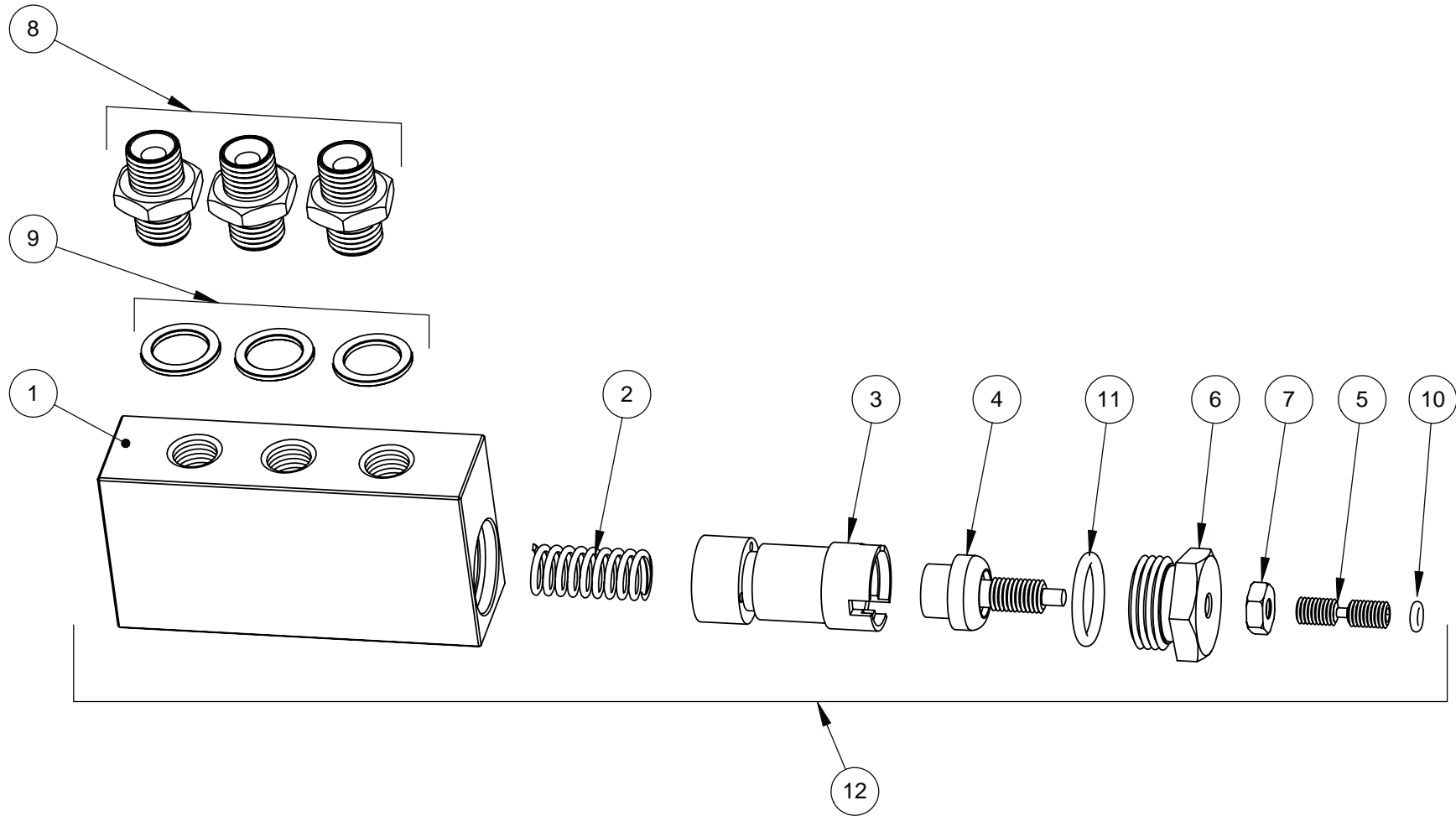
# Boiler assembly

|  |             |                           |   |   |
|--|-------------|---------------------------|---|---|
| <b>Caldaie</b>                             | 1           | L271                      | pressure switch, 56122N                               | pressostato, 56122N                           |
|  | 2           | L276                      | manual reset thermostat 250° (single pole)            | termostato sicurezza 130°C unipolare          |
|  | 3           | L137/4                    | blind ferrule, 11mm                                   | ghiandina dm.11 chiusa                        |
|  | 4           | L130/2                    | nut, tube 1/4"x6mm                                    | raccordo f.1/4" es.16                         |
|  | 5           | L100/1A                   | copper washer   | rondella rame                                 |
|  | 6           | L190                      | vacuum breaker  | valvola decompressione 1/4"gas                |
|  | 7           | L180/1                    | copper washer   | rondella rame 22x17x1,5                       |
|  | 8           | L154/*VGB/5               | *Gr steam boiler                                      | caldaia vapore grande *Gr                     |
|  | 9           | F.1.004                   | safety valve drain tray                               | vasch. scarico valvola sicurezza              |
|  | 10          | L180                      | pressure relief valve                                 | valvola sicurezza 1,8 bar                     |
|  | 11          | TL09                      | tube steam boiler - pressostat                        | tubo pressostato-cald.vapore                  |
|  | 12          | TL07/G                    | hot water suction tube                                | tubo pescaggio acqua caldaia vapore           |
|  | 13          | L164                      | ball valve  | rubinetto a sfera 3/8" M-F                    |
|  | 14          | C.1.036.SX                | bracket for GB/5 coffee boiler - left (from s/n 547)  | staffa caldaia GB/5 - sinistra (dal s/n 547)  |
|  | 15a         | L152/2WD                  | brew boiler subassembly, 4 group, right, type w       | caldaia satura, w, tipo, 4 gruppi, dx         |
|  | 15b         | L152/*WS                  | brew boiler subassembly *Gr group, type W             | caldaia satura, tipo W, *Gr                   |
|  | 16          | C.1.036.DX                | bracket for GB/5 coffee boiler - right (from s/n 547) | staffa caldaia GB/5 - destra (dal s/n 547)    |
|  | 17          | T.1.060                   | vacuum breaker steam boiler tubing connection         | tubo per valvola antirisucchio caldaia vapore |
|  | 18          | E.1.005                   | PT1000 temperature probe                              | sonda temperatura PT1000                      |
|  | 19          | L260/1A                   | copper washer 27x21x1,5                               | rondella rame 27x21x1,5                       |
|  | 20          | A.2.007                   | PT1000 temperature probe adaptor                      | riduzione per sonda PT1000                    |
| 21   | L140 C      | expansion valve           | valvola espansione completa                           |   |
|  | <b>Item</b> | <b>Part Number/Codice</b> | <b>Description</b>                                    | <b>Descrizione</b>                            |
| <b>* =number of groups / numero gruppi</b> |             |                           |   |   |

# Boiler assembly

| <b>Caldaje</b> | 22          | L037/4                    | copper washer, drain box          | rondella ot.26x14 tranciata                |
|----------------|-------------|---------------------------|-----------------------------------|--|
|                | 23          | L146                      | expansion valve nut               | dado 1/4" gas es.19                        |
|                | 24          | L037/2PGR                 | fitting, drain box hose barb      | portagomma dm. 20mm es.22                  |
|                | 25          | L037/3                    | fitting, 1/4" BSPP to 1/4" BSPP   | raccordo 1/4"m es.19mm                     |
|                | 26          | L037/D                    | drain box nut                     | dado 1/2" gas esagono 23                   |
|                | 27          | L037/3R                   | break drain fitting               | rompigetto es. 19mm                        |
|                | 28          | F.1.002.01                | drain box (from s/n 2487)         | pozzetto scarico (dal s/n 2487)            |
|                | 29          | LA052                     | autofill probe                    | sonda livello TL10/B mm.                   |
|                | 30          | LA052/1                   | teflon insulator                  | isolatore in teflon per sonda              |
|                | 31          | L129                      | 1/4" cross fitting nickel         | raccordo croce 1/4"GAS nich.               |
|                | 32          | B.3.001                   | teflon seal for vacuum breaker    | tenuta in teflon per valvola antirisucchio |
|                | 33          | F.2.019                   | silicon O-ring 102 70SHA          | O-ring 102 silicone 70SHA                  |
|                | 34          | B.2.013                   | vacuum breaker O-ring shaft       | asta per valvola antirisucchio             |
|                | 35          | VITE8X35TB                | zinc screw 8x35 allen head (3 Gr) | vite fe.zincato 8x35 t.brugola (3 Gr)      |
|                | 36          | DADO8M                    | zinc nut M8 (3 Gr)                | dado fe.zincato M8 (3 Gr)                  |
|                | 37          | I.1.013                   | 6x30 bolt socket head (3 Gr)      | bullone 6x30 testa brugola (3 Gr)          |
|                | 38          | VITE6X25                  | zinc screw 6x25 (2 Gr)            | vite fe.zincato 6x25 esagono (2 Gr)        |
|                | 39          | VITE6X20                  | zinc screw 6x20                   | vite fe.zincato 6x20 esagono               |
|                | 40          | L165/9                    | zinc washer 6,5x18x3              | rondella zincata 6,5x18x3                  |
|                | 41          | DADO6M                    | zinc nut M6                       | dado fe.zincato M6                         |
|                | <i>Item</i> | <i>Part Number/Codice</i> | <i>Description</i>                | <i>Descrizione</i>                         |

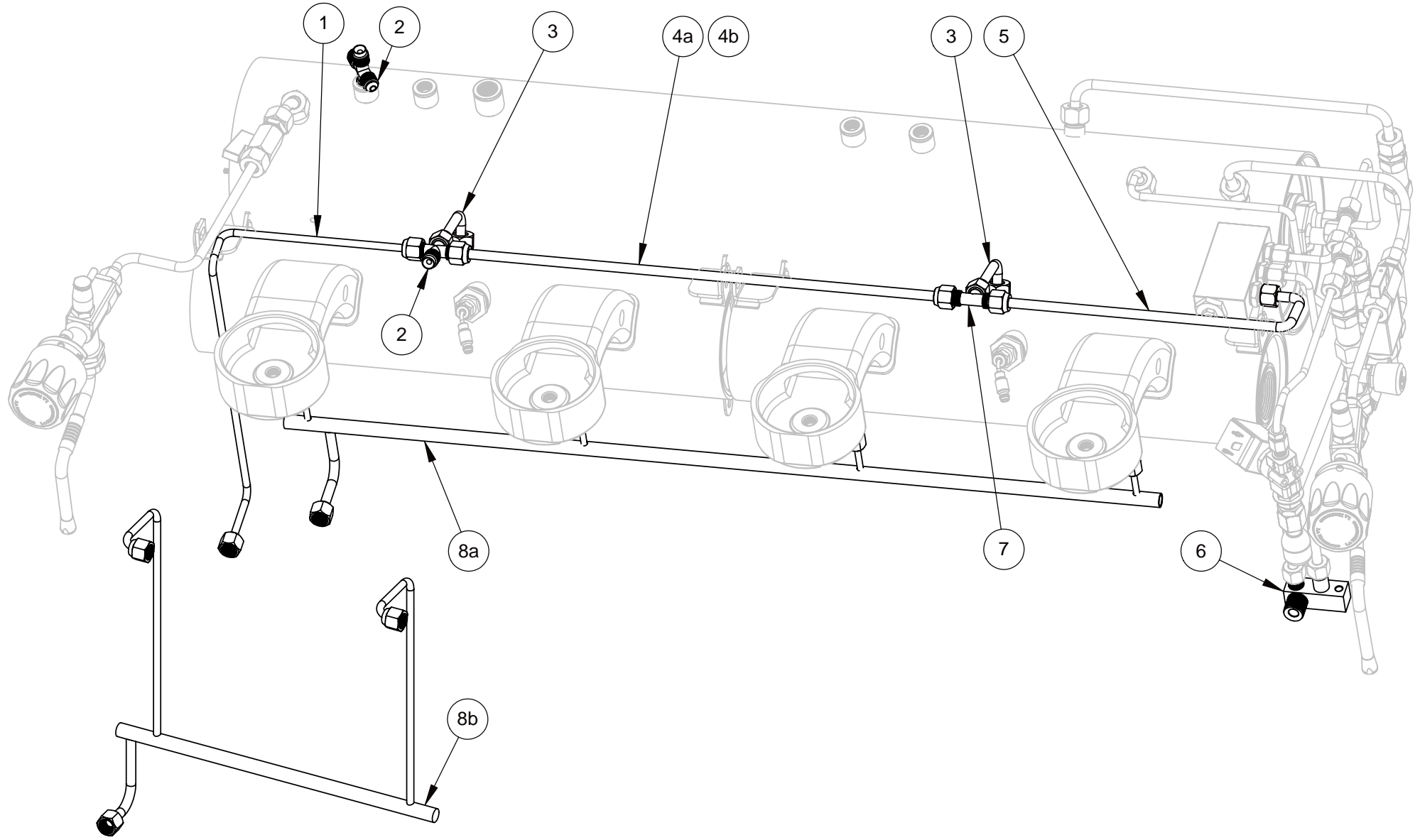
# Pre-heating mix valve



# Pre-heating mix valve

| <b>Valvola<br/>termostatica</b> | 1                         | B.2.002 | pre-heating mix valve body               | corpo valvola termostatica                      |
|---------------------------------|---------------------------|---------|--|---|
|                                 | 2                         | F.3.002 | pre-heating mix valve spring             | molla valvola termostatica                      |
|                                 | 3                         | A.2.005 | pre-heating mix valve tower inlet closer | cilindro miscelatore valvola termostatica       |
|                                 | 4                         | E.5.001 | pre-heating mix valve actuator           | attuatore per valvola termostatica              |
|                                 | 5                         | I.1.001 | pre-heating mix valve setting screw      | grano inox per regolazione valvola termostatica |
|                                 | 6                         | A.2.006 | pre-heating mix valve cap                | tappo per valvola termostatica                  |
|                                 | 7                         | I.1.002 | pre-heating mix valve nut                | dado fissaggio grano di regolazione             |
|                                 | 8                         | L037/3  | pre-heating mix valve nipple             | nipplo 1/4"M. ES 19 nichelato                   |
|                                 | 9                         | L100/1A | pre-heating mix valve copper washer      | rondella rame 19x13,5x1,5                       |
|                                 | 10                        | H.1.001 | pre-heating mix valve O-ring screw       | O-ring Viton grano di regolazione               |
|                                 | 11                        | H.1.002 | pre-heating mix valve O-ring cap         | O-ring Viton tappo valvola termostatica         |
|                                 | 12                        | B.2.003 | pre-heating mix valve                    | valvola termostatica nichelata completa         |
| <i>Item</i>                     | <i>Part number/Codice</i> |         | <i>Description</i>                       | <i>Descrizione</i>                              |

# Hydraulic assembly



# Hydraulic assembly

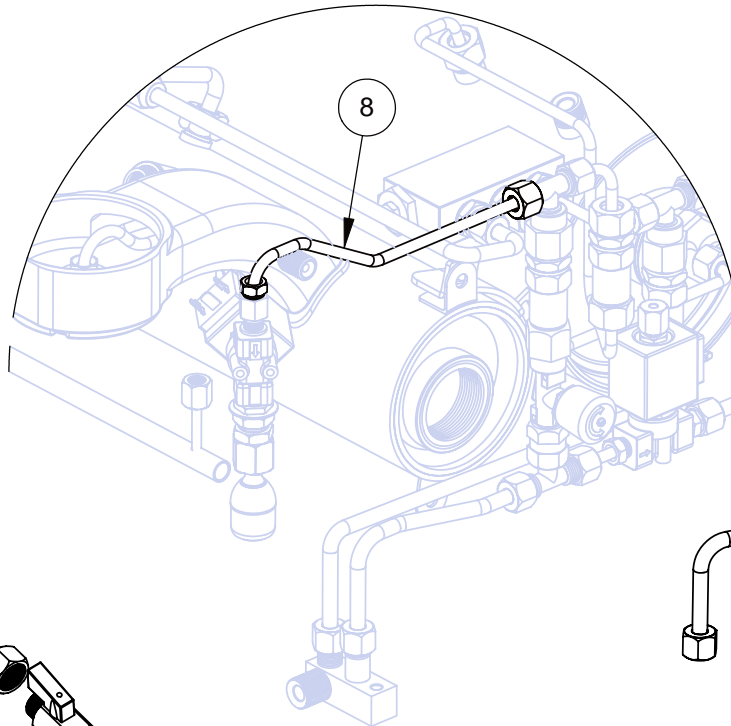
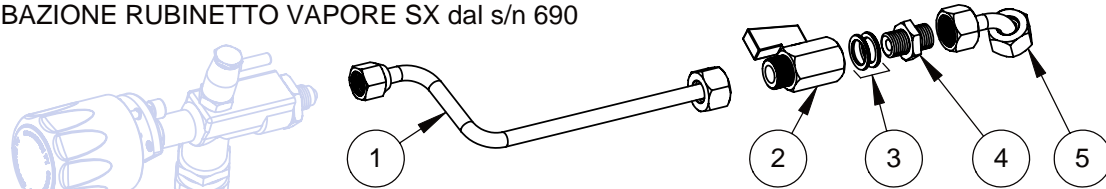
|   |                           |                    |  |   |
|---|---------------------------|--------------------|--|---|
| <b>Impianto idraulico</b>                   | 1                         | T.1.009            | tube fitting cross - expansion valve                 | tubo crocera - valvola espansione       |
|   | 2                         | L129               | fitting, 1/4" cross                                  | raccordo croce 1/4"gas nich.            |
|   | 3                         | TL06               | tube, cross fitting to brew boiler                   | tubo crocera-caldaia satura             |
|   | 4a                        | TL05/3             | tube, tee fitting to cross fitting 3gr               | tubo collegamento crocere 3Gr           |
|   | 4b                        | TL05/4             | tube, tee fitting to cross fitting 4gr               | tubo collegamento crocere 4Gr           |
|   | 5                         | T.1.018            | tube mix valve - coffee boiler                       | tubo valv. termostatica - caldaia caffè |
|   | 6                         | A.2.001            | incoming water manifold                              | collettore ingresso acqua               |
|   | 7                         | A.2.002            | fitting, 1/4" tee                                    | raccordo a tee 1/4"gas                  |
|   | 8a                        | T.1.012.*          | *Gr solenoid valve drain tube                        | tubo scarico EV GB/5 *Gr                |
|   | 8b                        | T.1.021.*          | GB/5 & FB/80 group cap solenoid valve drain tube *Gr | GB/5 & FB/80 tubo scarico ev *Gr        |
| <b>Item</b>                                 | <b>Part Number/Codice</b> | <b>Description</b> |  | <b>Descrizione</b>                      |
| <b>* = number of groups / numero gruppi</b> |                           |                    |  |   |



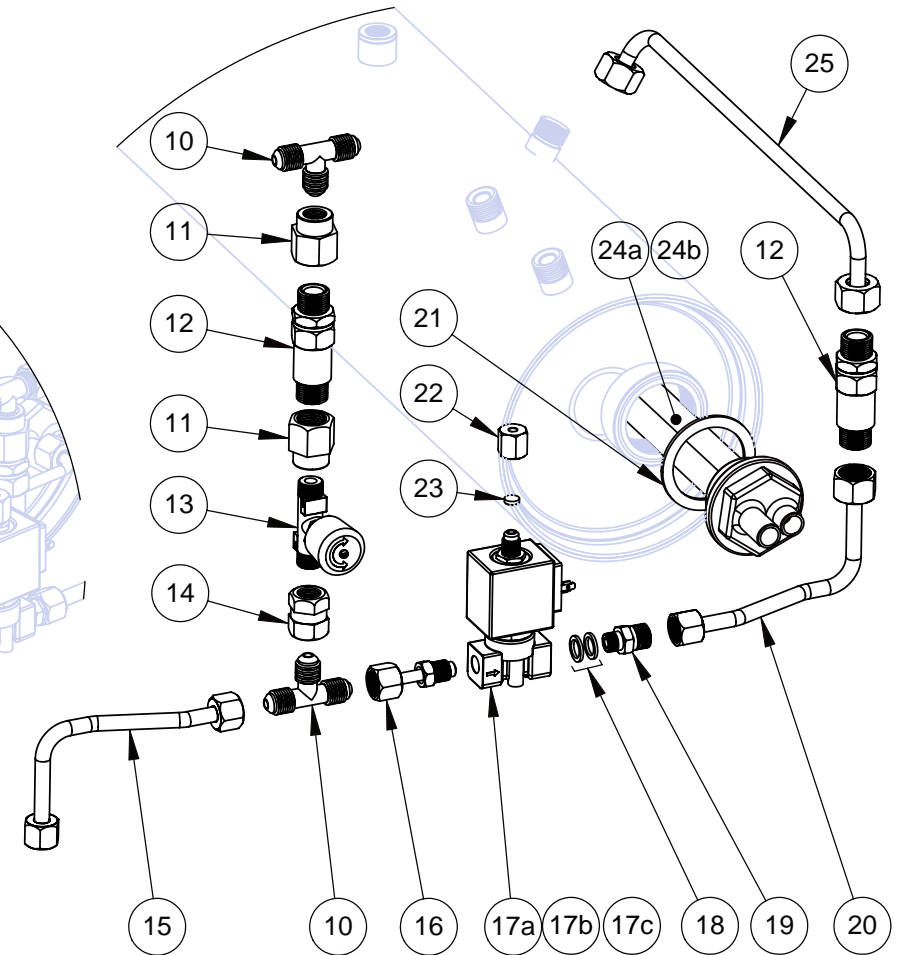
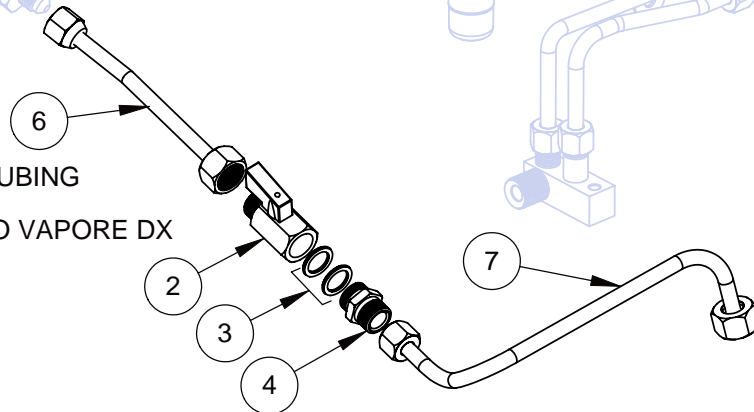
HANDMADE IN FLORENCE

# Hydraulic assembly

LEFT STEAM VALVE TUBING from s/n 690  
TUBAZIONE RUBINETTO VAPORE SX dal s/n 690



RIGHT STEAM VALVE TUBING  
from s/n 690  
TUBAZIONE RUBINETTO VAPORE DX  
dal s/n 690

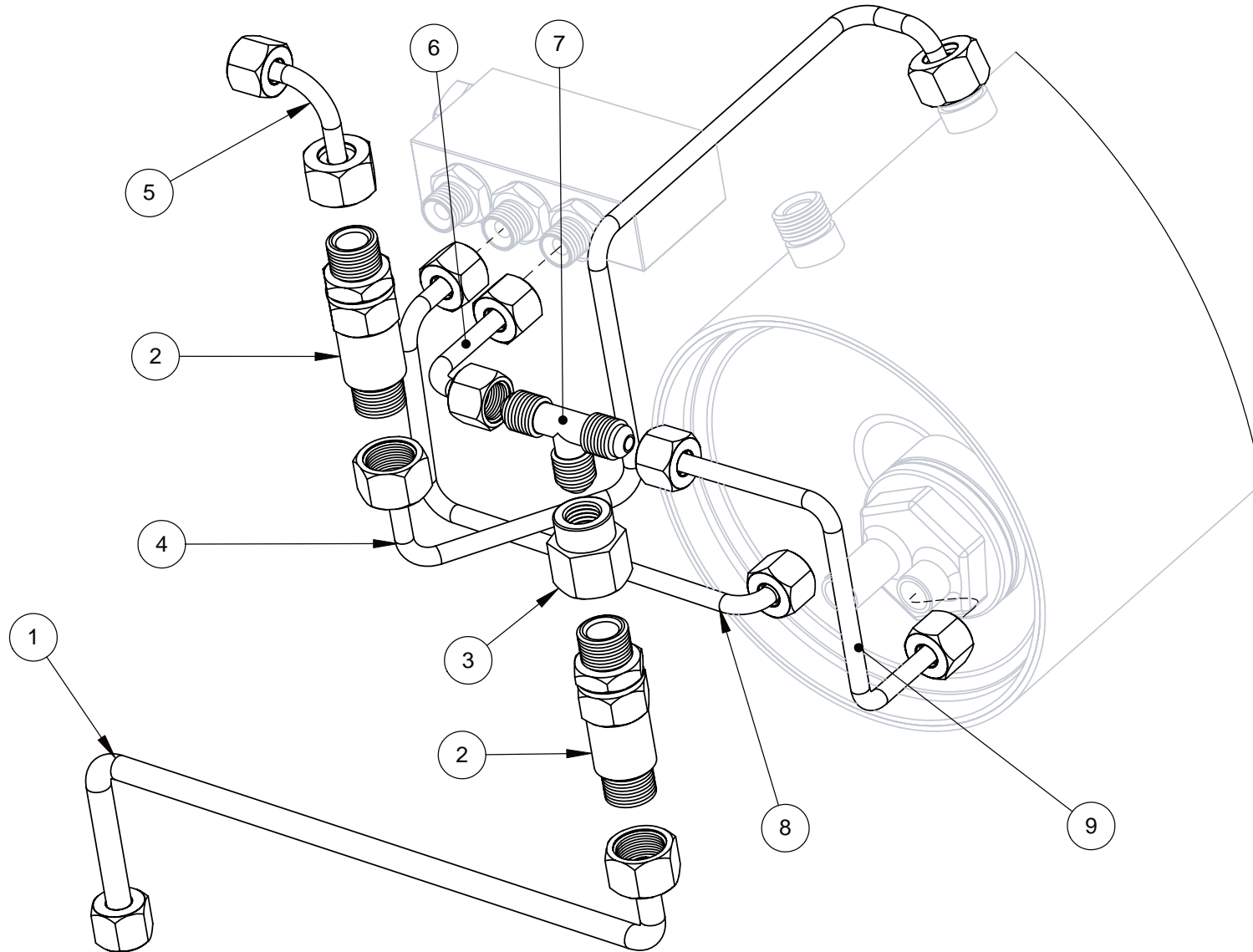


# Hydraulic assembly

**Impianto idraulico**

|   |                           |  |  |
|---|---------------------------|--|--|
| 1   | T.1.011                   | tube sphere valve-left steam valve                 | tubo rub. vapore Sx                        |
| 2   | L164                      | ball valve   | rubinetto a sfera 3/8" M-F                 |
| 3   | L180/1                    | copper washer, pressure relief valve               | rondella rame 22x17x1,5                    |
| 4   | L305/N                    | nipple 3/8 M - 3/8 M                               | nipple 3/8 M - 3/8 M                       |
| 5   | T.1.010                   | tube steam boiler-left steam valve (from s/n 690)  | tubo c.vap-rub. sfera sx                   |
| 6   | T.1.048                   | tube sphere valve-right steam valve                | tubo-rub.sfera-rub. vapore dx              |
| 7   | T.1.020                   | tube steam boiler-right steam valve (from s/n 690) | tubo c.vap.-rub. sfera dx                  |
| 8   | T.1.007                   | hot water T tube                                   | tubo T acqua calda                         |
| 9   | L160                      | hot water spout assembly                           | diffusore acqua calda                      |
| 10  | A.2.002                   | fitting, 1/4" tee                                  | raccordo a tee 1/4"gas                     |
| 11  | A.2.004                   | 1/4"F - 3/8"F nick fitting                         | raccordo 1/4"F - 3/8"F nichelato           |
| 12  | L032/P                    | check valve  | valvola ritegno nichelata                  |
| 13  | B.2.001                   | water mix valve                                    | valvola miscelazione acqua                 |
| 14  | A.2.003                   | 1/4"F - 1/4"F nick fitting                         | raccordo 1/4"F - 1/4"F nichelato           |
| 15  | T.1.001                   | manifold - T tube                                  | tubo collettore - T                        |
| 16  | T.1.002                   | tube T - solenoid valve                            | tubo T - EV                                |
| 17a   | L100/E                    | 3 way solenoid valve - 220V                        | elettrovalvola 3 vie, 220V                 |
| 17b   | L100/E200                 | 3 way solenoid valve - 200V                        | elettrovalvola 3 vie, 200V                 |
| 17c   | L1007E240                 | 3 way solenoid valve - 240V                        | elettrovalvola 3 vie, 240V                 |
| 18  | L100/D                    | copper washer                                      | rondella rame 14x10x1,5                    |
| 19  | L053/1                    | fitting, 1/8"M to 1/4"M                            | raccordo 1/8"M-1/4"M x elettrovalvola      |
| 20  | T.1.003                   | tube solenoid - check valve                        | tubo EV - valvola di non ritorno           |
| 21  | LR360                     | heat-exchanger gasket                              | guarnizione piana dim. 55x42x2 scambiatore |
| 22  | L134                      | fitting, 1/8"F nut for 4mm tube                    | raccordo 1/8"F es.14 foro 4,5              |
| 23  | L134/4                    | ferrule, 8mm blind                                 | ghiandina Ø8 chiusa                        |
| 24a   | T.1.015                   | pre-heater 2Gr                                     | preriscaldatore 2Gr                        |
| 24b   | T.1.019                   | pre-heater 3/4Gr                                   | preriscaldatore 3/4Gr                      |
| 25  | T.1.004                   | tube check valve-steam boiler                      | tubo valvola non ritorno caldaia vapore    |
| <b>Item</b>                                 | <b>Part Number/Codice</b> | <b>Description</b>                                 | <b>Descrizione</b>                         |
| <b>* = number of groups / numero gruppi</b> |                           |  |  |

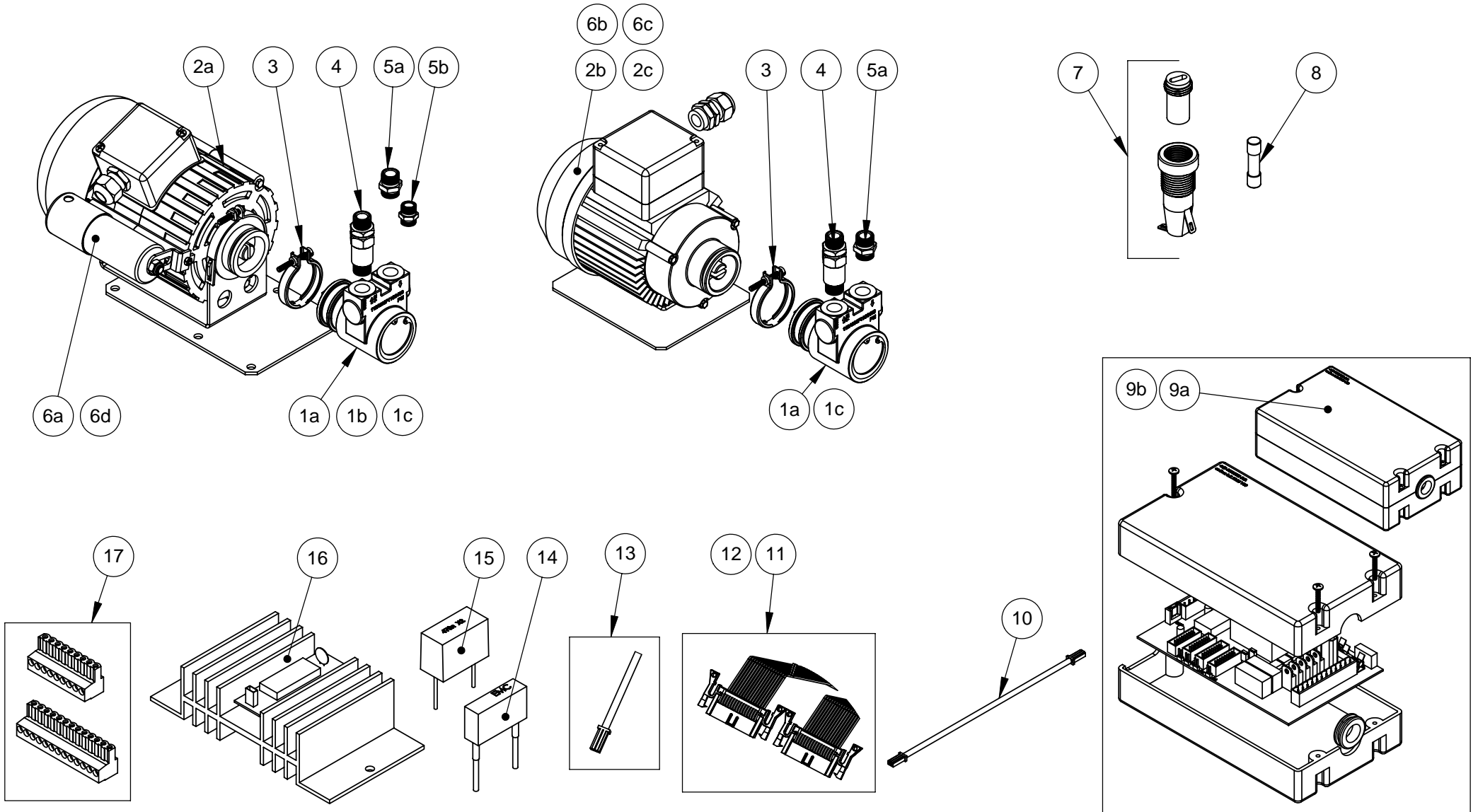
# Hydraulic assembly



# Hydraulic assembly

|   |             |                           |                                   |   |
|---|-------------|---------------------------|-----------------------------------|---|
| <b>Impianto Idraulico</b>                   | 1           | T.1.013                   | tube inlet manifold - check valve | tubo ancoraggio - valv. non ritorno       |
|   | 2           | L032/P                    | check valve                       | valvola ritegno nichelata                 |
|   | 3           | A.2.004                   | 1/4"F - 3/8"F nick fitting        | raccordo 1/4"F - 3/8"F nichelato          |
|   | 4           | T.1.006                   | tube check valve - steam boiler   | tubo valvola non ritorno - caldaia vapore |
|   | 5           | T.1.005                   | t tube - check valve              | tubo T - valvola non ritorno              |
|   | 6           | T.1.017                   | tube T - mix valve                | tubo T - valvola misc.                    |
|   | 7           | A.2.002                   | fitting, 1/4" tee                 | raccordo a tee 1/4"gas                    |
|   | 8           | T.1.016                   | tube heat-exchanger - mix valve   | tubo preriscaldatore valv. termostatica   |
|   | 9           | T.1.014                   | tube T - heat-exchanger           | tubo T - scambiatore                      |
|   | <b>Item</b> | <b>Part Number/Codice</b> | <b>Description</b>                | <b>Descrizione</b>                        |
| <b>* = number of groups / numero gruppi</b> |             |                           |                                   |   |

# Electrical system and pump

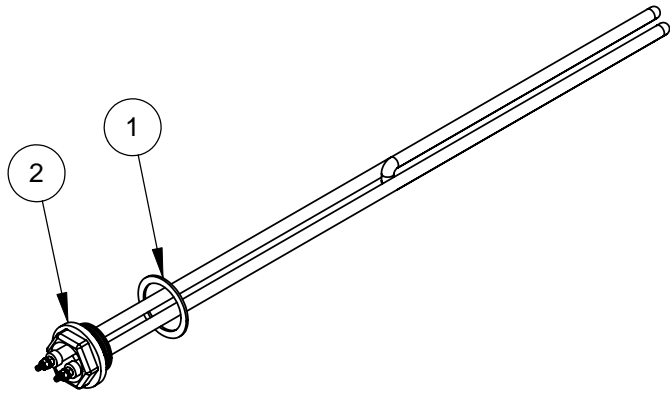


# Electrical system and pump

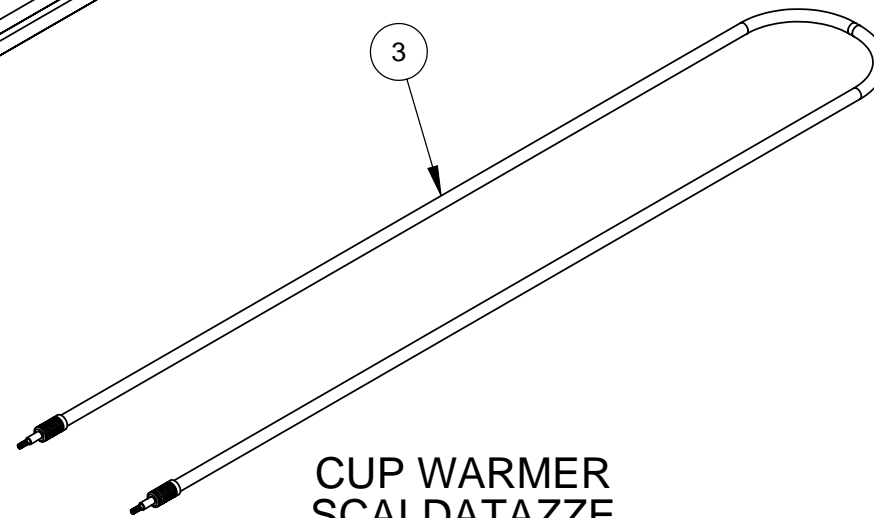
| <i>Item</i> | <i>Part Number/Codice</i> | <i>Description</i>                              | <i>Descrizione</i>                                 |
|-------------|---------------------------|---|--|
| 1a          | L290/1                    | pump 150 l/h                                    | corpo pompante 150 l/h                             |
| 1b          | L290/2                    | pump 200 l/h                                    | corpo pompante 200 l/h                             |
| 1c          | L290                      | Procon pump                                     | corpo pompante Procon                              |
| 2a          | L290/8UL                  | 220-240V motor (UL) (50-60 Hz)                  | motore 220-240V (UL) (50-60 Hz)                    |
| 2b          | L290/5                    | 220V motor (CE) (50Hz)                          | motore 220V (CE) (50Hz)                            |
| 2c          | L290/7                    | 200V motor (CE) (50-60Hz)                       | motore 200V (CE) (50-60Hz)                         |
| 3           | L290/C                    | clamp, pump to motor                            | fascetta per pompante                              |
| 4           | L032/P                    | check valve                                     | valvola ritegno 3/8"gas                            |
| 5a          | L305/N                    | fitting 3/8"M-3/8M                              | nipplo 3/8"M-3/8M                                  |
| 5b          | L306/G                    | nipple 3/8" to 9/16" compression                | nipplo 3/8" - 9/16" a compressione                 |
| 6a          | L290/CUL                  | 10 $\mu$ F motor L290/8UL condenser             | condensatore 10 $\mu$ F (motore L290/8UL)          |
| 6b          | L290/5C                   | 6,3 $\mu$ F motor L290/5 condenser              | condensatore 6,3 $\mu$ F (motore L290/5)           |
| 6c          | L290/7C                   | 8 $\mu$ F motor L290/7 condenser                | condensatore 8 $\mu$ F (motore L290/7)             |
| 6d          | L290/3CUL                 | 10 $\mu$ F old version motor L290/3UL condenser | condensatore 10 $\mu$ F (motore superato L290/3UL) |
| 7           | E.2.004                   | fuse holder (only for UL version)               | portafusibile (solo per la versione UL)            |
| 8           | E.2.003                   | fuse 2A 250V (only for UL version)              | fusibile 2A 250V (solo per la versione UL)         |
| 9a          | E.1.001                   | CPU 2/3/4Gr for GB/5 & FB/80 AV                 | CPU 2/3/4Gr GB/5 & FB/80 AV                        |
| 9b          | E.1.010.01                | CPU 2/3/4Gr for GB/5 & FB/80 EE - from s/n 2487 | CPU 2/3/4Gr GB/5 & FB/80 EE - dal s/n 2487         |
| 10          | E.4.004                   | Triac - brain cable GB/5                        | cavi colleg. Triac-centr. GB/5                     |
| 11          | LAD3D5/C05                | 3D5 button box cable 110cm                      | cavo pulsantiera 3D5 cm110                         |
| 12          | LAD3D5/C06                | 3D5 button box cable 140cm                      | cavo pulsantiera 3D5 cm140                         |
| 13          | E.4.011                   | tea ribbon cable button                         | cavo pulsante tè                                   |
| 14          | L206                      | EMC filter                                      | filtro EMC   |
| 15          | L204                      | electromgn. compatibility filter                | condensatori in serie antidisturbo                 |
| 16          | E.1.006                   | triac 2 x 2/3Gr - 3x4Gr                         | triac 2 x 2/3Gr - 3x4Gr                            |
| 17          | E.1.001.9/13              | couple of GB/5 terminal connectors              | coppia connettori GB/5                             |

**Impianto elettrico e pompa**

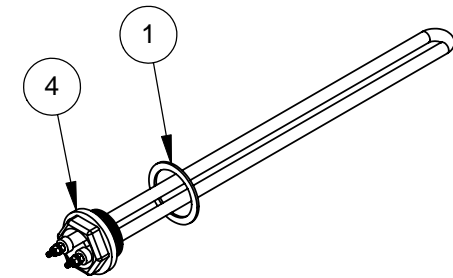
# Heating elements



STEAM BOILER  
CALDAIA VAPORE



CUP WARMER  
SCALDATAZZE

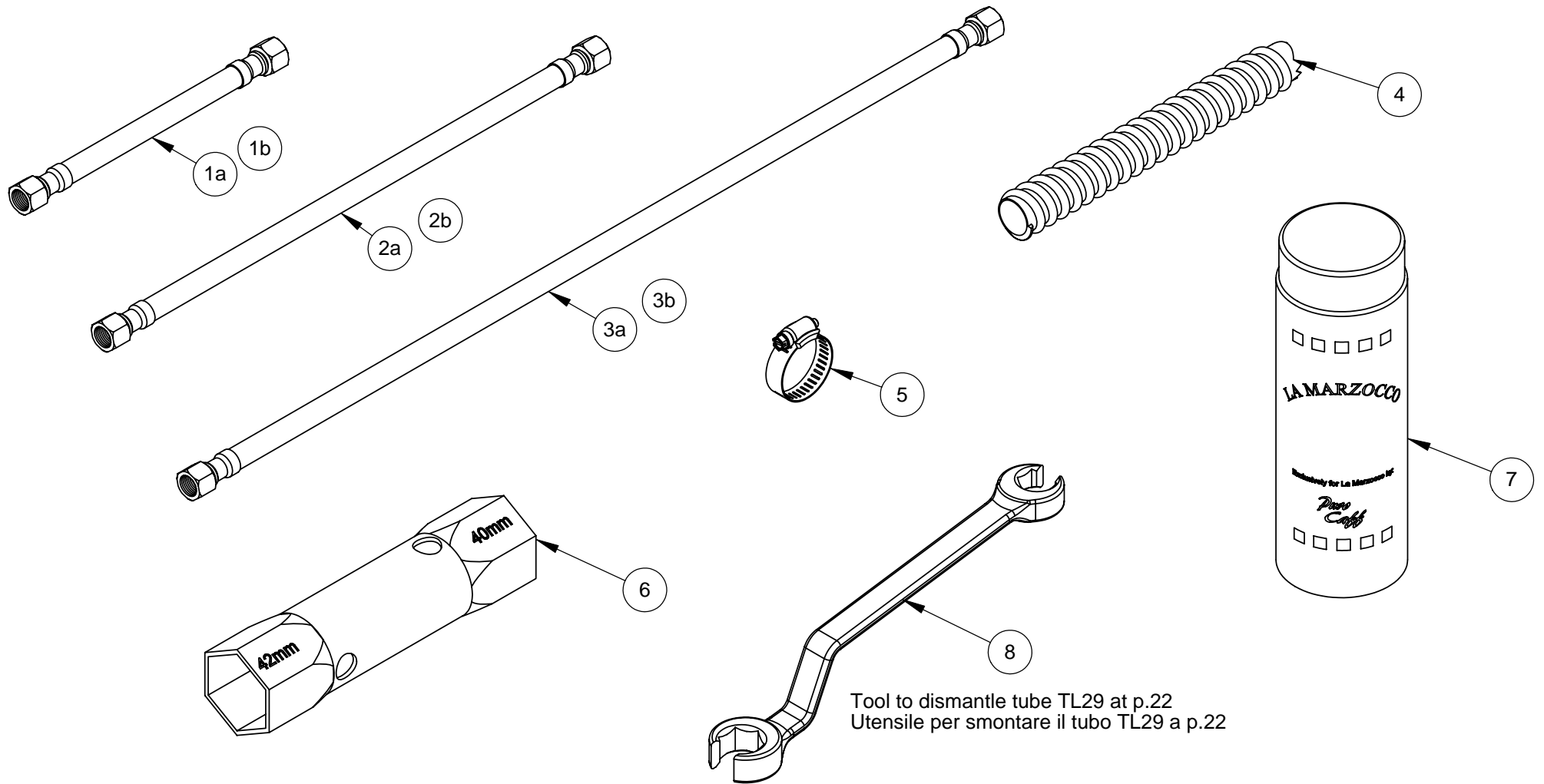


COFFEE BOILER  
CALDAIA CAFFE'

# Heating elements

|                              |             |                           |   |  |
|------------------------------|-------------|---------------------------|---|--|
| <b>Resistenze elettriche</b> | 1           | LR360                     | gasket  | guarnizione piana 55x42x2                            |
|                              |             | <b>Standard</b>           | <b>Standard elements for steam boiler</b>           | <b>Resistenze standard per caldaia vapore</b>        |
|                              |             | LR342/220B                | W2000, 220V cm.29 1-1/4" 2Gr steam boiler element   | resist. W2000, 220V cm.29 1-1/4" - caldaia vap. 2Gr  |
|                              |             | LR350/380B                | W2000, 380V cm.29 1-1/4" 2Gr steam boiler element   | resist. W2000, 380V cm.29 1-1/4" - caldaia vap. 2Gr  |
|                              |             | LR345/220B                | W3000, 220V cm.50 1-1/4" 3Gr steam boiler element   | resist. W3000, 220V cm.50 1-1/4" - caldaia vap. 3Gr  |
|                              |             | LR353/380B                | W3000, 380V cm.50 1-1/4" 3/4Gr steam boiler element | resist. W3000, 380V cm.50 1-1/4" - caldaia vap. 3Gr  |
|                              |             | LR346/220B                | W3800, 220V cm.50 1-1/4" 4Gr steam boiler element   |  |
|                              |             | LR358/200B                | W2000, 200V cm.29 1-1/4" 2Gr steam boiler element   | resist. W2000, 220V cm.65 1-1/4" - caldaia vap. 2Gr  |
|                              |             | LR359/200B                | W3000, 200V cm.50 1-1/4" 3Gr steam boiler element   | resist. W3000, 200V cm.50 1-1/4" - caldaia vap. 3Gr  |
|                              | 2           | <b>High</b>               | <b>High power elements for steam boiler</b>         | <b>Resistenze maggiorate per caldaia vapore</b>      |
|                              |             | LR357/200B                | W3000, 200V cm.39 1-1/4" 2Gr steam boiler element   | resist. W3000, 200V cm.39 1-1/4" - caldaia vap. 2Gr  |
|                              |             | LR357/220B                | W3000, 220V cm.39 1-1/4" 2Gr steam boiler element   | resist. W3000, 220V cm.39 1-1/4" - caldaia vap. 2Gr  |
|                              |             | LR357/380B                | W3000, 380V cm.39 1-1/4" 2Gr steam boiler element   | resist. W3000, 380V cm.39 1-1/4" - caldaia vap. 2Gr  |
|                              |             | LR356/200B                | W4000, 200V cm.50 1-1/4" 3Gr steam boiler element   | resist. W4000, 200V cm.50 1-1/4" - caldaia vap. 3Gr  |
|                              |             | LR356/220B                | W4000, 220V cm.50 1-1/4" 3Gr steam boiler element   | resist. W4000, 220V cm.50 1-1/4" - caldaia vap. 3Gr  |
|                              |             | LR356/380B                | W4000, 380V cm.50 1-1/4" 3Gr steam boiler element   | resist. W4000, 380V cm.50 1-1/4" - caldaia vap. 3Gr  |
|                              |             | LR355/200B                | W5000, 200V cm.65 1-1/4" 4Gr steam boiler element   | resist. W5000, 200V cm.65 1-1/4" - caldaia vap. 4Gr  |
|                              |             | LR355/220B                | W5000, 220V cm.65 1-1/4" 4Gr steam boiler element   | resist. W5000, 220V cm.65 1-1/4" - caldaia vap. 4Gr  |
|                              |             | LR355/380B                | W5000, 380V cm.65 1-1/4" 4Gr steam boiler element   | resist. W5000, 380V cm.65 1-1/4" - caldaia vap. 4Gr  |
|                              | 3           | <b>Standard</b>           | <b>Cupwarmer elements</b>                           | <b>Resistenza scaldatazze</b>                        |
|                              |             | LR370                     | 2Gr cupwarmer element W.280                         | resistenza scaldatazze 280W                          |
|                              |             | LR371                     | 3Gr cupwarmer element W.400                         | resistenza scaldatazze 400W                          |
|                              |             | LR372                     | 3Gr cupwarmer element W.600                         | resistenza scaldatazze 600W                          |
|                              | 4           | <b>Standard</b>           | <b>Standard elements for brew boiler</b>            | <b>Resistenze standard per caldaia caffè</b>         |
|                              |             | LR365/200                 | W1400, 200V cm.40 1-1/4" 2Gr brew boiler element    | resist. W1400, 200V cm.40 1-1/4" - caldaia caffè 2Gr |
|                              |             | LR365/220                 | W1400, 220V cm.40 1-1/4" 2Gr brew boiler element    | resist. W1400, 220V cm.40 1-1/4" - caldaia caffè 2Gr |
|                              |             | LR365/380                 | W1400, 380V cm.40 1-1/4" 2Gr brew boiler element    | resist. W1400, 380V cm.40 1-1/4" - caldaia caffè 2Gr |
|                              |             | LR362/220                 | W1600, 220V cm.65 1-1/4" 3Gr brew boiler element    | resist. W1600, 220V cm.65 1-1/4" - caldaia caffè 3Gr |
|                              |             | LR364/380                 | W1600, 380V cm.65 1-1/4" 3Gr brew boiler element    | resist. W1600, 380V cm.65 1-1/4" - caldaia caffè 3Gr |
|                              |             | <b>High</b>               | <b>High power elements for brew boiler</b>          | <b>Resistenze maggiorate per caldaia caffè</b>       |
|                              |             | LR366/200                 | W1900, 200V cm.65 1-1/4" 3Gr brew boiler element    | resist. W1900, 200V cm.65 1-1/4" - caldaia caffè 3Gr |
|                              |             | LR366/220                 | W1900, 220V cm.65 1-1/4" 3Gr brew boiler element    | resist. W1900, 220V cm.65 1-1/4" - caldaia caffè 3Gr |
|                              |             | LR366/380                 | W1900, 380V cm.65 1-1/4" 3Gr brew boiler element    | resist. W1900, 380V cm.65 1-1/4" - caldaia caffè 3Gr |
|                              | <b>Item</b> | <b>Part number/Codice</b> | <b>Description</b>                                  | <b>Descrizione</b>                                   |

# Hoses and accessories

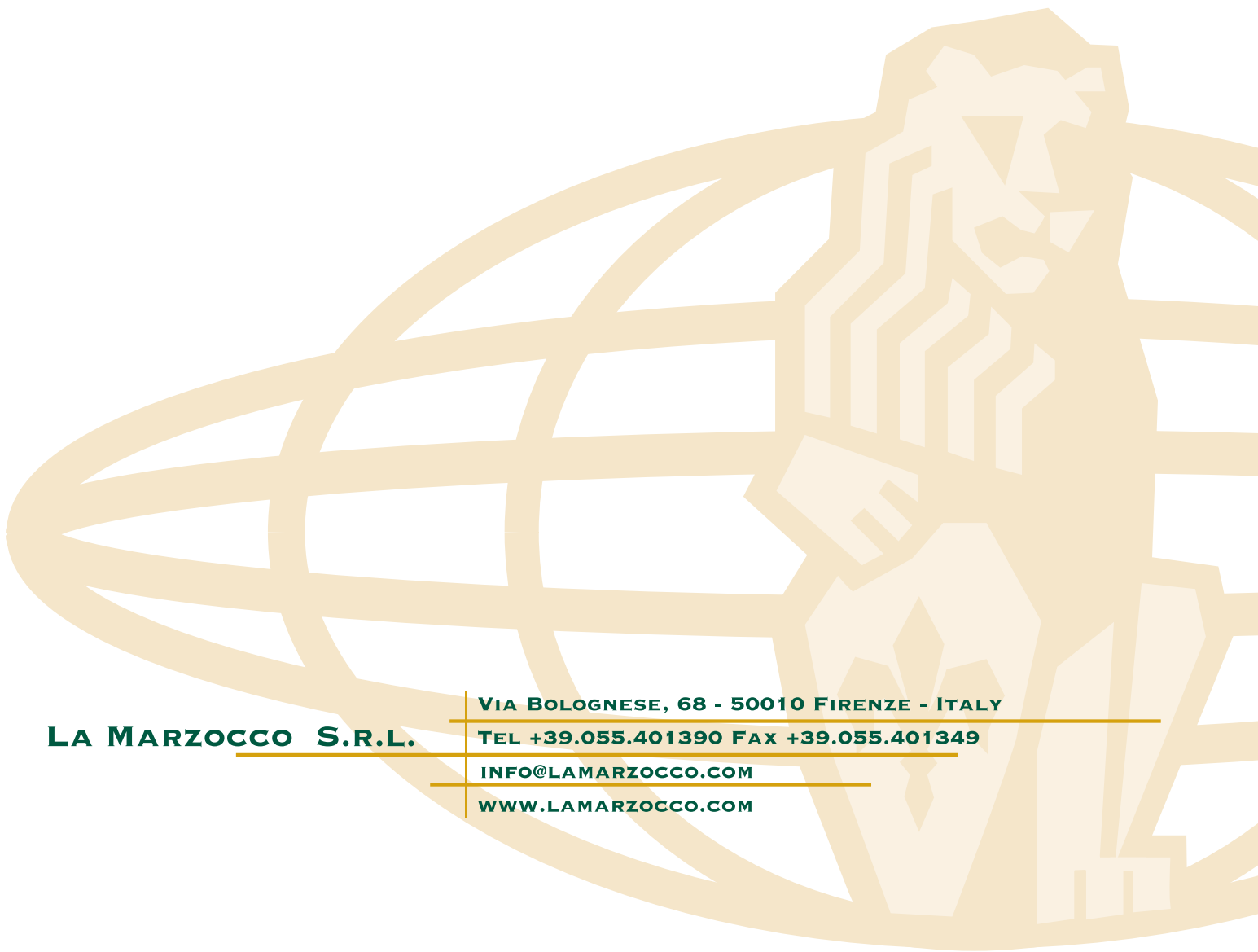


## Hoses and accessories

| <b>Tubi e accessori</b> | 1a          | L305/050                      | 50cm stainless steel braided hose 3/8"F               | tubo flessibile inox 3/8"F 50cm  |
|-------------------------|-------------|-------------------------------|---|----------------------------------|
|                         | 1b          | L306/050                      | 50cm stainless steel braided hose, 9/16" compression  | tubo flex inox 9/16"F 50cm NSF   |
|                         | 2a          | L305/120                      | 120cm stainless steel braided hose 3/8"F              | tubo flessibile inox 3/8"F 120cm |
|                         | 2b          | L306/120                      | 120cm stainless steel braided hose, 9/16" compression | tubo flex inox 9/16"F 120cm NSF  |
|                         | 3a          | L305/210                      | 210cm stainless steel braided hose 3/8"F              | tubo flessibile inox 3/8"F 210cm |
|                         | 3b          | L306/210                      | 210cm stainless steel braided hose, 3/8" compression  | tubo flex inox 3/8"F 210cm NSF   |
|                         | 4           | L309                          | clear armoured drain hose                             | tubo spingvin elastic 20mm       |
|                         | 5           | L312                          | hose clamp  | fascetta serratubo mm. 14/24     |
|                         | 6           | UT360/42                      | element tool 40/42                                    | chiave resistenza 40/42          |
| 7                       | V067        | La Marzocco puro caff cleaner | La Marzocco puro caff prodotto per pulizia            |                                  |
| 8                       | UT107       | mounting key for TL29         | chiave montaggio TL29                                 |                                  |
|                         | <i>Item</i> | <i>Part Number/Codice</i>     | <i>Description</i>                                    | <i>Descrizione</i>               |



*HANDMADE IN FLORENCE*



**LA MARZOCCO S.R.L.**

**VIA BOLOGNESE, 68 - 50010 FIRENZE - ITALY**

**TEL +39.055.401390 FAX +39.055.401349**

**INFO@LAMARZOCCO.COM**

**WWW.LAMARZOCCO.COM**