



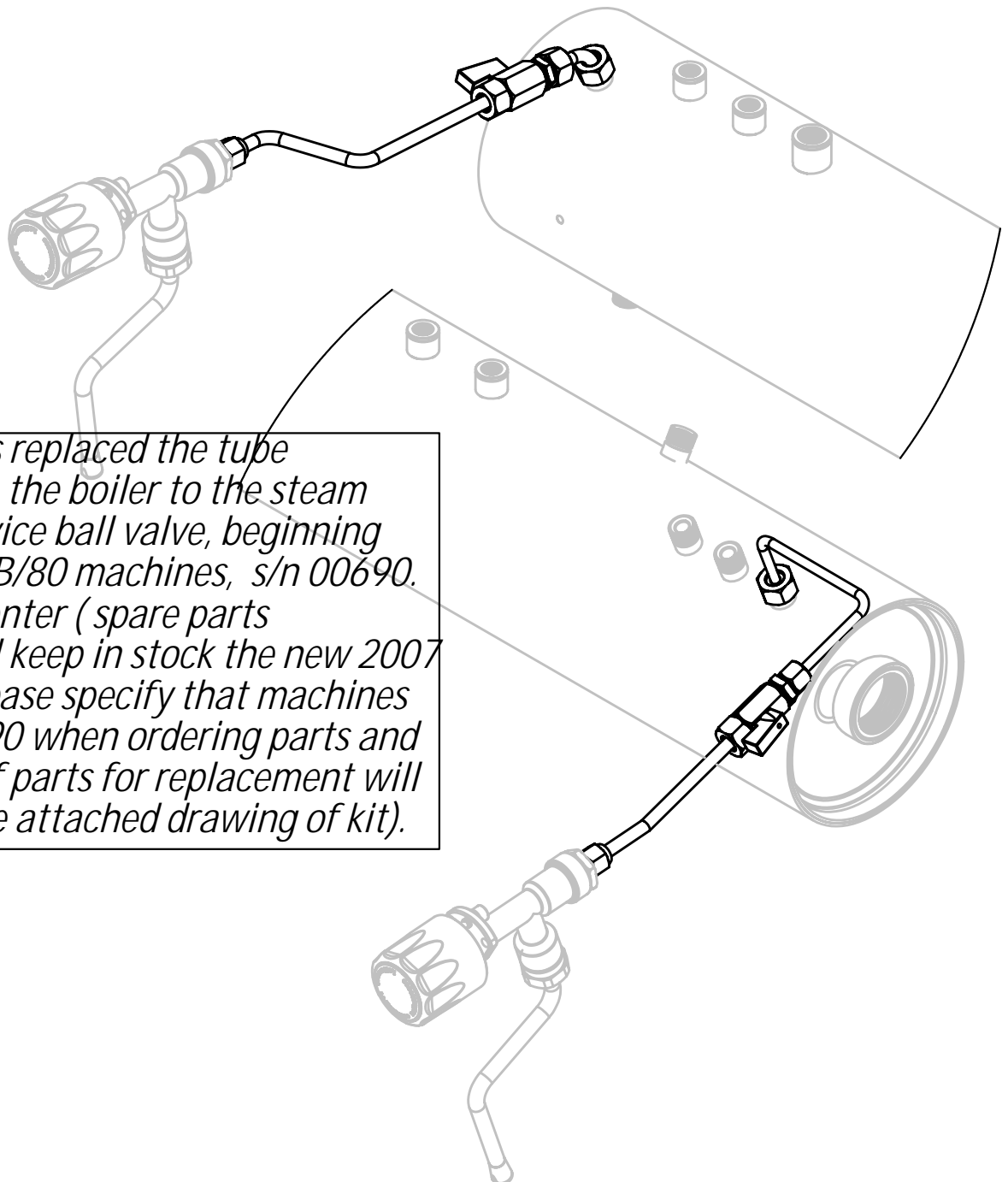
HANDMADE IN FLORENCE

TECHNICAL BULLETIN #31

TECHNICAL REFERENCE: 062907/31

June 29, 2007

MODEL/S AFFECTED: GB/5 & FB/80 steam valve tube connection - ALL
DESCRIPTION: service ball valve



La Marzocco has replaced the tube connection from the boiler to the steam valve with a service ball valve, beginning with GB/5 and FB/80 machines, s/n 00690. The Technical Center (spare parts department) will keep in stock the new 2007 version only. Please specify that machines are pre-s/n 00690 when ordering parts and a complete kit of parts for replacement will be delivered (see attached drawing of kit).



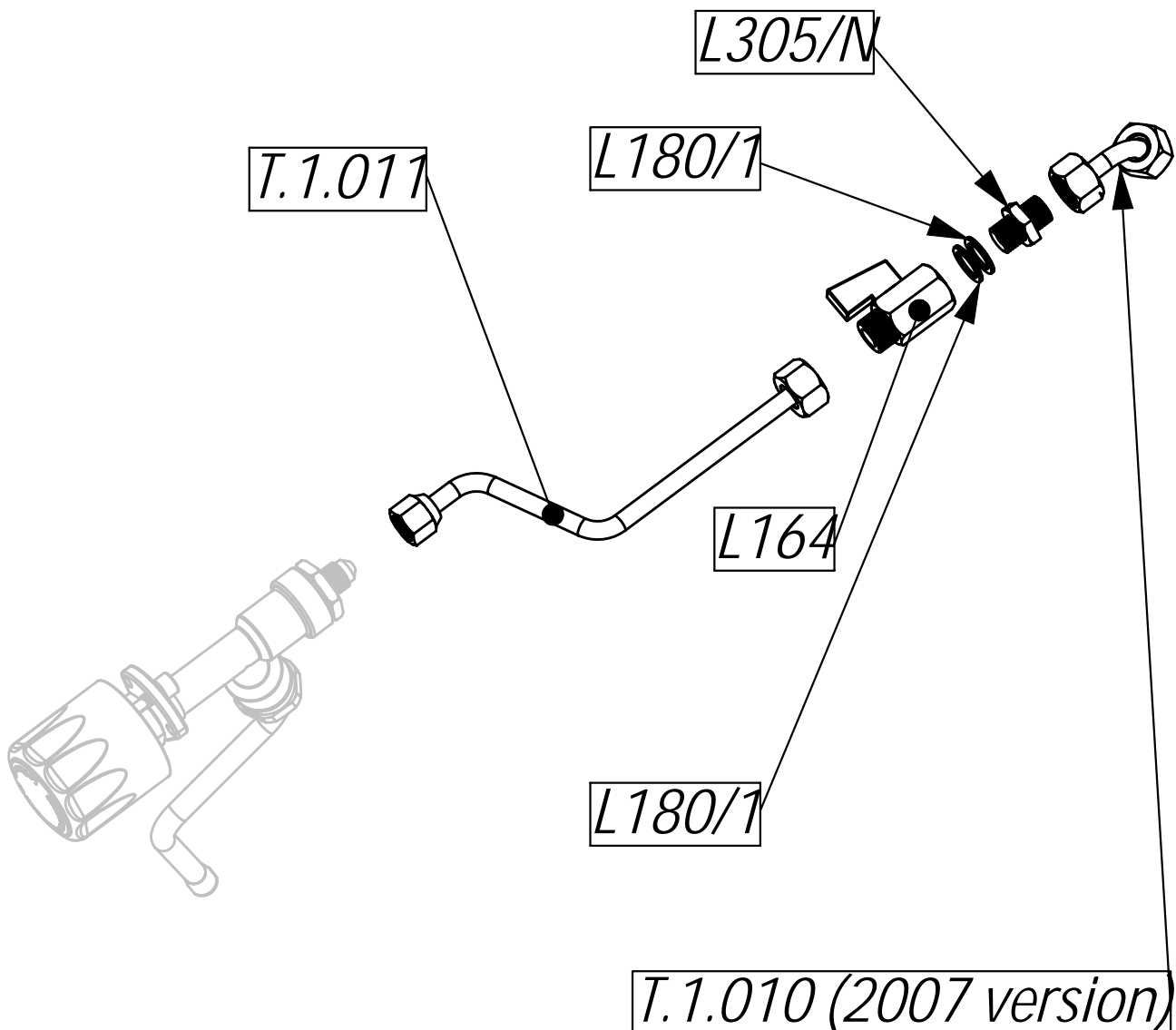
HANDMADE IN FLORENCE

TECHNICAL BULLETIN #31

TECHNICAL REFERENCE: 062907/31

June 29, 2007

MODEL/S AFFECTED: GB/5 & FB/80 steam valve tube connection
DESCRIPTION: left steam valve service ball





HANDMADE IN FLORENCE

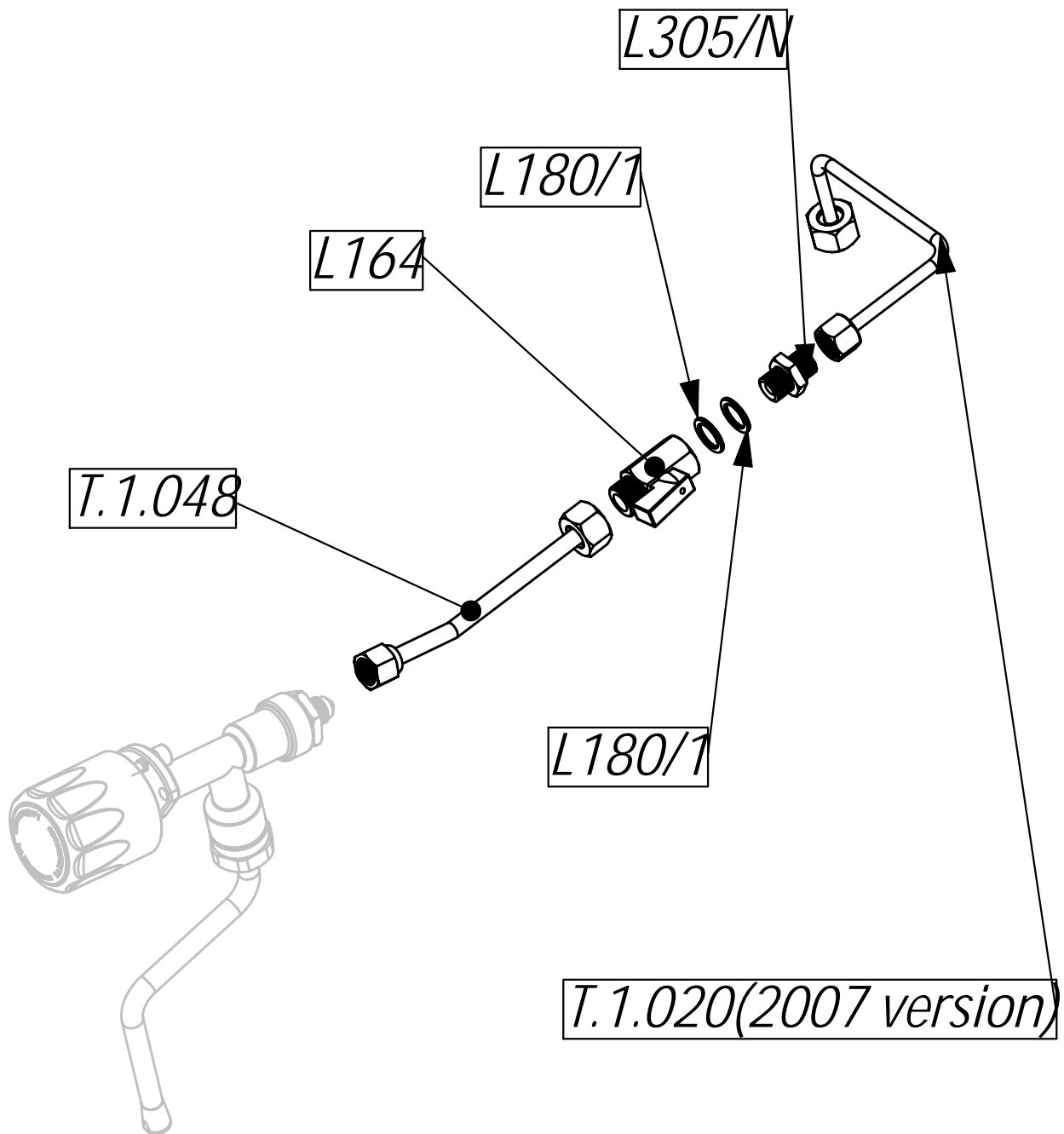
TECHNICAL BULLETIN #31

TECHNICAL REFERENCE: 062907/31

June 29, 2007

MODEL/S AFFECTED: GB/5 & FB/80 steam valve tube connection

DESCRIPTION: right steam valve service ball





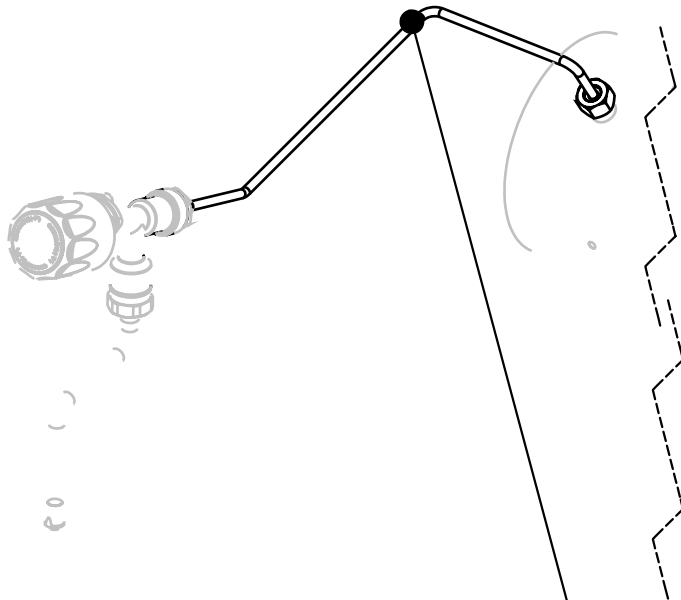
HANDMADE IN FLORENCE

TECHNICAL BULLETIN #31

June 29, 2007

TECHNICAL REFERENCE: 062907/31

MODEL/S AFFECTED: GB/5 & FB/80 steam valve tube connection - ALL
DESCRIPTION: Steam valve tube connection pre-s/n00690



T.1.010(pres/n00690)

T.1.020(pres/n00690)