



Models Affected:
Linea - ALL
FB-70 - ALL

TECHNICAL BULLETIN #28

February 15, 2003

INTRODUCTION OF NEW PRESSURE SWITCH
P/N - L271

La Marzocco will be replacing the existing pressure switch (L270) with a new pressure switch (L271-see below) on all espresso machines. This change will be applied on the following serial numbers:

UL Listed Machines

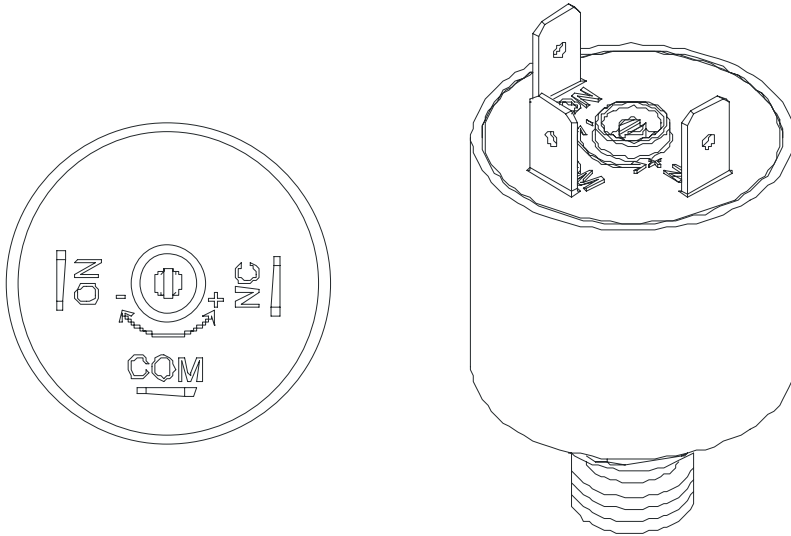
- B04236, B04237, B04241-B04243, B04279-B04290, B04294-B04296, and B04298 and greater.
- 21400, 21454 and greater

CE Listed Machines

- 21926 and greater

With this application an electrical contactor is also added to handle the power switching requirements of the steam boiler heating element.

NOTE: This pressure switch requires a short break in period of approximately 20 days (this will vary upon use of the machine). The Pressure switch should be set to 1.2 - 1.3 bar upon installation. After the break-in period, the pressure switch will achieve approximately 1.5 bar pressure.



L271- Pressure Switch