



Models Affected:  
Linea - ALL  
FB-70 - ALL

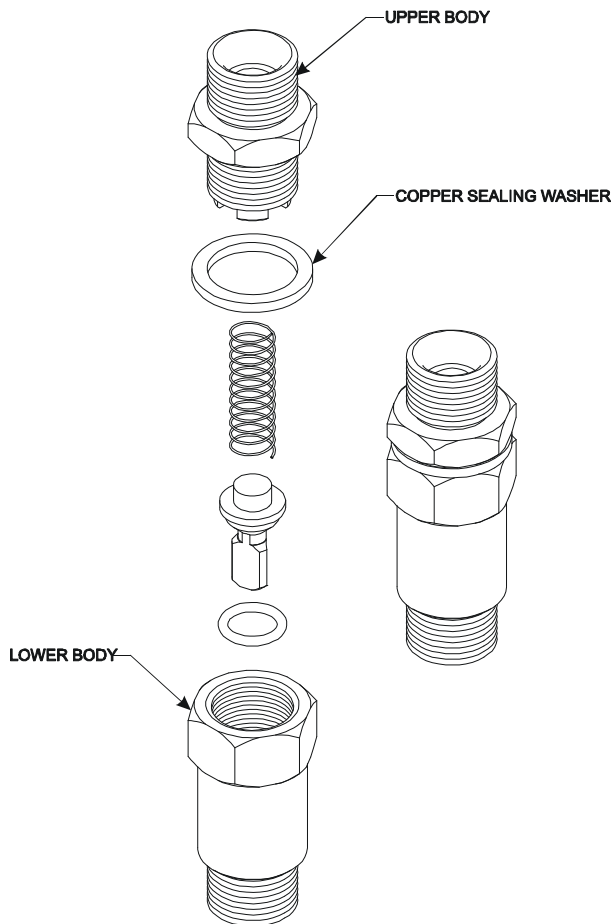
## TECHNICAL BULLETIN #27

March 12, 2002

### CHANGE TO PART L032/P – CHECK VALVE

La Marzocco, International has made a change to P/N L032/P – Check Valve. The sealing method to seal the upper body and the lower body of the check valve has been changed. The copper sealing washer has been removed and the upper body and the lower body of the check valve have been modified to provide a proper seal upon mating. Additionally a thread sealing compound has been used to ensure a proper seal. No dimensional changes have been made to this part. This change will not affect the installation of the part.

#### ORIGINAL L032/P



#### L032/P WITH SEALING METHOD CHANGE

