

MALYKKE Coffee Grinder

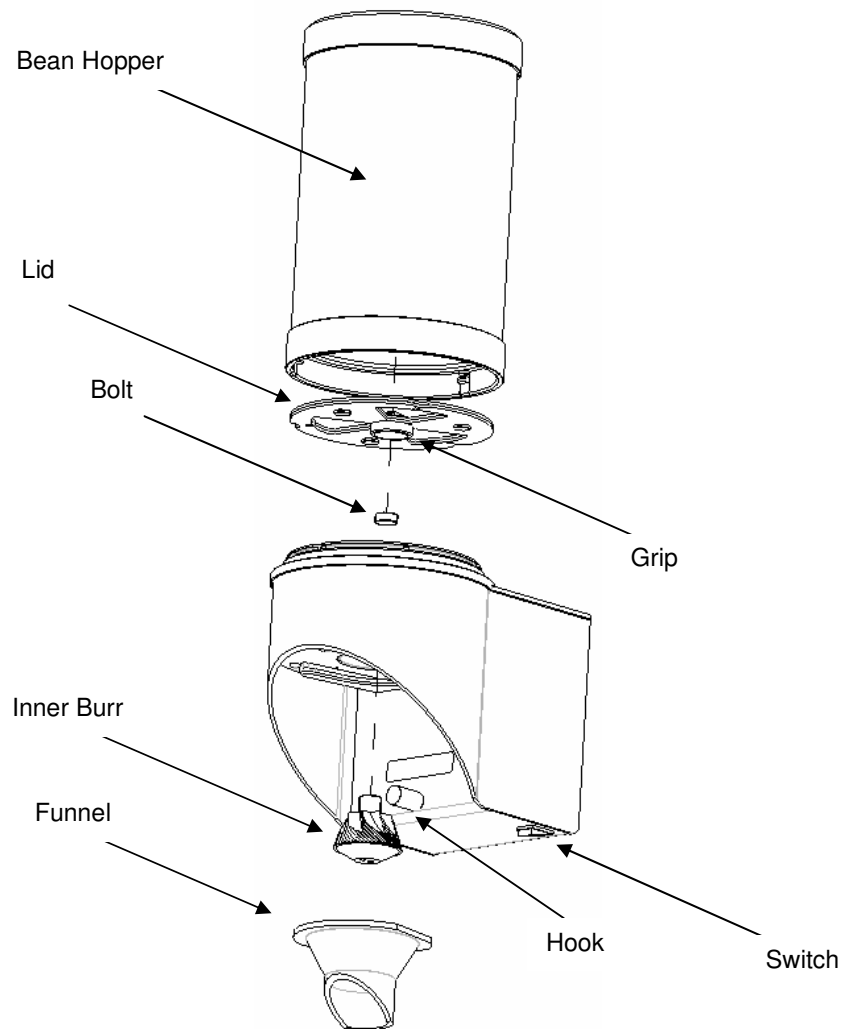
United States Patent No.: US 7,464,888 B2

Main Functions

Quick Reference

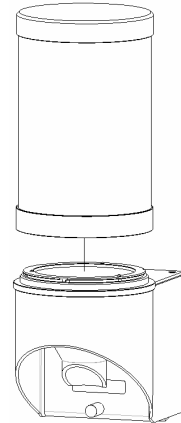
and

User Guide



(Re)Filling of Coffee Beans

- Turn the hopper anti clockwise till it stops and lift off
- Turn it upside down so that the lid is upwards
- Use the grip to turn the lid clockwise until it stops and lift up and off
- Fill the hopper with coffee beans. **NB! maximum capacity of 1.2 Kg.**
- Replace the lid and close by turning it anti clockwise until it stops
- Replace the hopper by placing it vertically on top of the grinder.
- Grip the hopper with both hands and turn clockwise until it is 'clicks' into place.
- **NB!** It is thus not necessary for the hopper to be turned to a particular position when placing on top of grinder



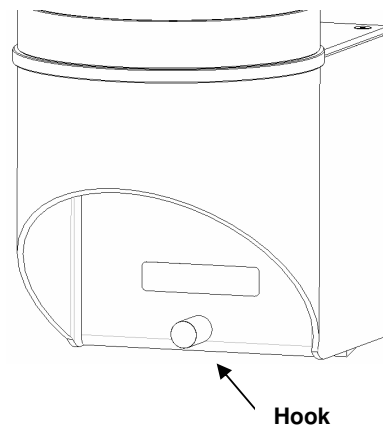
Menu and Navigation

All navigation through the user menu is done using the 'hook' onto which the cafetière rests when the grinder is in use.

When accessing the user menu for detailed or extended navigation it is advantageous to remove the funnel for better view of the display.

The 'hook' provides access to the complete user menu through the following simple actions:

1. **Short press**; Press and let go
2. **Long press**; Press and hold for 3 seconds
3. **Short pull**; Pull and let go
4. **Long pull**; pull and hold for 3 seconds



Short press and short pull is used to change values and/or scroll the menu
Long press and short pull is used to move forwards and backwards respectively

To help you to quickly getting used to the difference between short and long press/pull 3 indicating arrows appears to the right on the display. For a press/pull to be 'long' the second arrow must be visible.

Manager Menu

The manager menu is activated by one **long pull** and inputting the manager code. Factory setting is 001.

The menu consists of 12 sub menus which can be activated individually by a **long press** on the hook.

To return to the main menu from any given sub menu simply perform a **long pull**

To leave the manager menu perform a **long pull**

No. Menu

1. Counters
2. Codes
3. Lock
4. Dosis/Dose
5. Light
6. Calibration
7. Motor speed
8. Language
9. Coffee Blend
10. Manual Grind
11. Service Time
12. Info

Practical examples of how to use the menu

Change in coffee dose. Here illustrated for a 3-cup cafetière

Perform a ***long pull*** to activate the menu and input of code

Now input the code for access to manager menu. Factory setting is 001

Code: 001 >>>

1. Perform a ***long pull*** – This moves you one character forward
2. Perform a ***short press*** – the character changes from "0" to "1"
3. Perform a ***long press*** – the code (here 001) is tested and if correct the user has access to the manager menu

During inputting the code the user can move forwards and backwards between characters by performing a ***short pull or and the characters can be changed any number of times by performing a short press.***

To change the dose for a 3-cup cafetière scroll forward to point 4 "Dosis" in the main manager menu.

4. Scroll forward and backward by performing ***short press/pull*** as above until the display reads "Dosis".
5. Perform a ***long press*** to activate the sub menu "Dosis".

When the submenu "Dosis" is activated the user can scroll between various cafetière sizes and bag sizes. This list is determined by the types of cafetièrès and bags the grinder is calibrated to recognize. The individual value of each option is shown next to the name.

6. Scroll forward and backward by performing ***short press/pull*** as above until the display reads "3-cup 070"
7. Perform a ***long press*** to activate the submenu. Now the dose can be changed
8. Follow the same method as inputting code to change the desired value.

Dose ("Dosis") is input as a measure of time. There are 10 units to a second.
The grinder grinds approx. 3.5 gram/sec; depending on motor speed and coarseness of grind.

As a safety measure and a guard against errors changes in dose must be confirmed by a ***long pull***. If this is not done the change does not take effect.

9. To return to the main menu, perform a ***long pull***
10. To leave the menu completely perform a ***long pull***

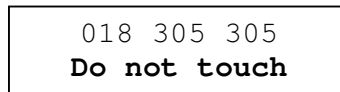
The dose for a 3-cup cafetière has now been successfully changed and the machine is ready to use.

Calibration of the machine

Activate the manager menu by following steps 1-5 from the previous section 'Change in coffee dose'

1. Scroll forward and backward by performing **short press/pull** until the display reads "Calibration"
2. Perform a long pull to activate the sub menu Calibration.

When calibration is activated the display will read:



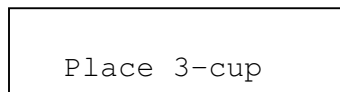
018 305 305
Do not touch

IMPORTANT!

At this stage in the calibration process it is paramount that the hook remains untouched. If it happens by accident the user must switch off the machine, wait a few seconds and switch the machine back on. The user must start the calibration process again. Alternatively, the user can pull the hook 6 times in a row which returns to the main menu.

The numbers shown in the display above 'Do not touch' can be ignored as they are for technical engineer use and error reporting only. Please note, the numbers in the display may not be the same as illustrated above. This is of no consequence.

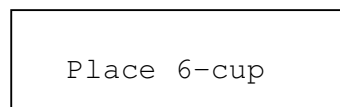
After a brief moment the machine will sound a short beep and the display reads:



Place 3-cup

If you wish to use the 3-cup cafetière size this is now 'hooked' onto the grinder. It is important that the cafetière is not touched after it has been hooked on i.e. the cafetière is hanging freely. After a brief moment another short beep will sound and the cafetière can be removed. If the 3-cup cafetière size is not used this size can be bypassed during calibration by performing a **short pull** instead of hooking on the cafetière. A short beep will then sound to indicate the size has been bypassed.

The display now reads:



Place 6-cup

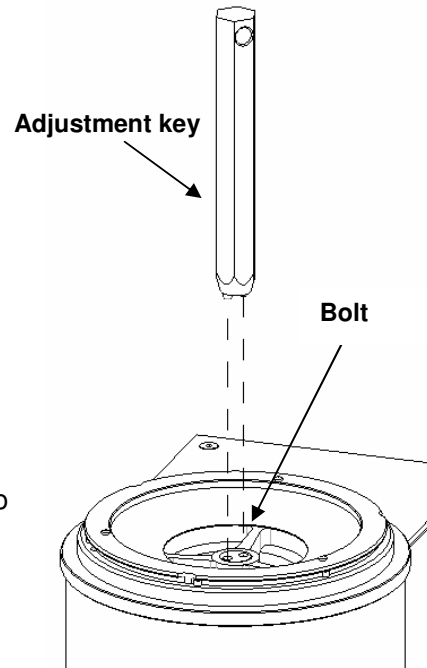
If the 6-cup cafetière is required repeat the steps above. The process can then be repeated for 8-cup and 12-cup cafetières as well as Bag 1 and Bag 2. Bag 1 is when the extendible part of the handle is standard position. For Bag 2 the extendible part of the handle is pulled out. See also Bag Hook under 'Accessories'.

NB! To use the cafetière size 6-cup this must be hooked on sideways in order to work along side the 3-cup cafetière. Both during calibration and in daily use. All other cafetière sizes can be hooked on in any position.

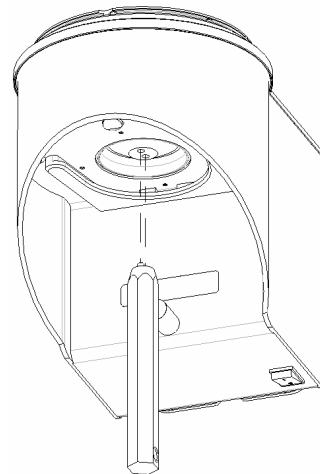
The machine does not tolerate change in the order of cafetière sizes and bags. An error in calibration will result in no changes taking affect. The calibration process can only be stopped by switching off the machine on the main switch. This will cancel the calibration and no changes are saved.

Adjustment of grind coarseness

1. Remove the bean hopper and the funnel from the grinder. For assistance see section '(Re)filling coffee beans' above.
2. Gently push the lose beans in the centre to the side to reveal the bolt. Brush away the lose coffee from the holes if required.
3. Place the adjustment key to fit into the holes and loosen the bolt by rotating anti clockwise. NB! maximum 1 full turn.



4. The grind quality/coarseness can now be easily adjusted by using the adjustment key, this time from underneath. Place the adjustment key so it fits into the holes as indicated on the illustration. Turn the inner burr up or down. We recommend that the adjustment is done in very small increments i.e. a ¼ turn at a time only.
5. The adjustment of the grind quality/coarseness is completed by tightening the bolt from above.



IMPORTANT!

When adjusting the grind it is paramount that the position of the burrs is not set too close together so that they are in direct contact as this will damage the burrs. Damage to the burrs in this way is not covered by warranty.

It is also important that the bolt is tightened after adjustment! (see point 5 above) If the bolt is not tightened after adjustment of the grind it can cause damage to the burrs and other intricate part do the machine. Damage to the machine in this way is not covered by warranty. In the event of an actual blockage the display will read 'Call Service' and the grinder will stop working until the blockage has been cleared. Call your supplier or service engineer for assistance.